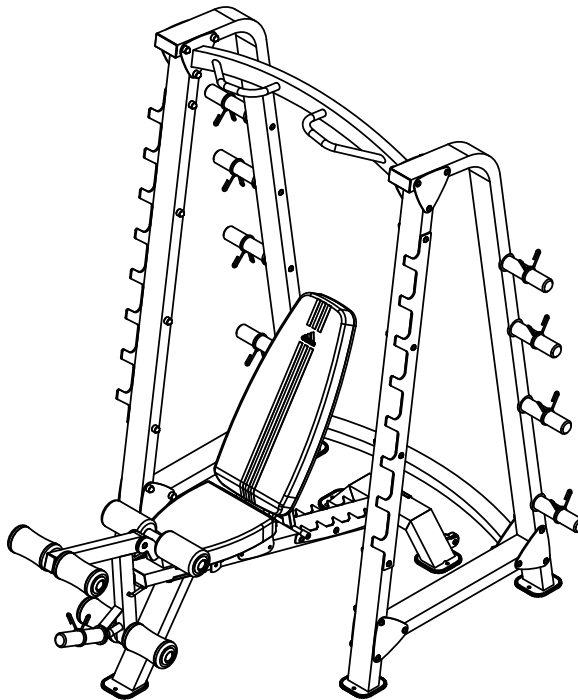




CAGE

ADI-5100-I

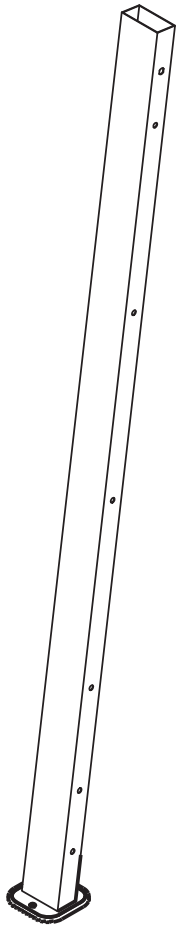


IMPORTANT: Please read the Important Safety Notice and Assembly Information in the Owner's manual before assembling this product.

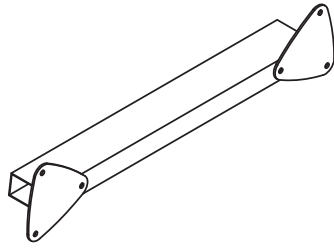
ATTENTION! Veuillez lire l'Avis de sécurité important et le Guide d'assemblage avant d'assembler cet appareil.

Assembly Manual Guide d'assemblage

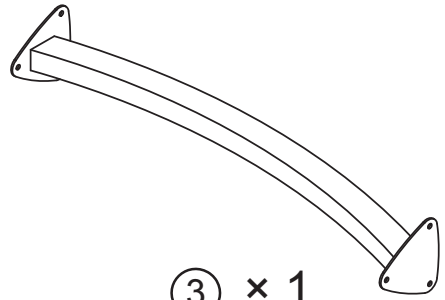
120625



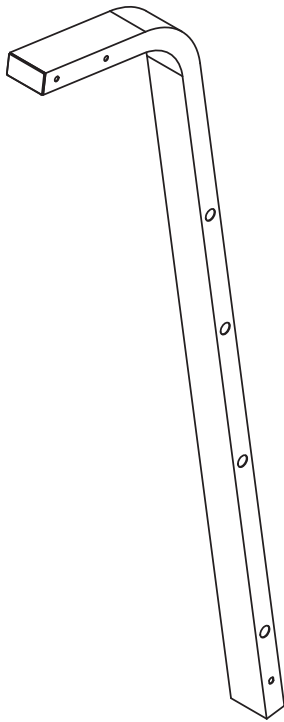
② × 2



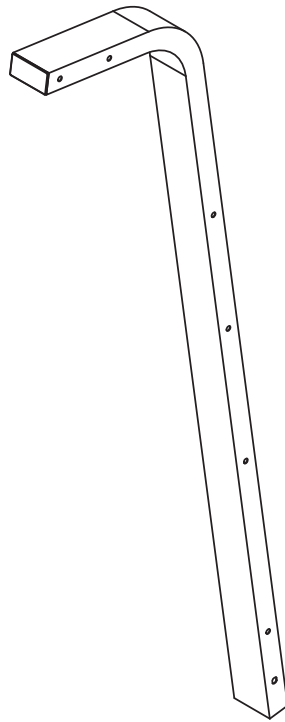
① × 2



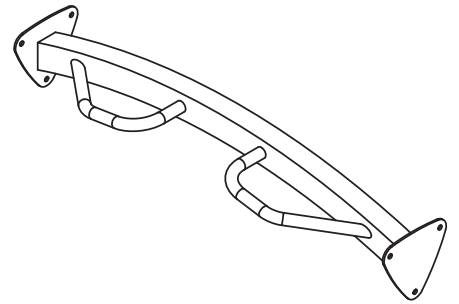
③ × 1



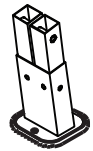
④ × 1



⑤ × 1



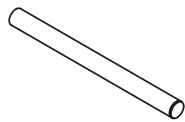
⑥ × 1



⑦ × 2



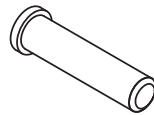
⑧ × 2



⑨ × 8



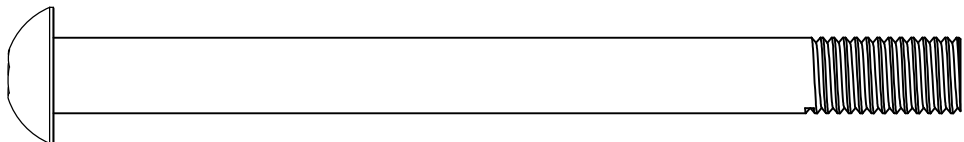
⑩ × 4



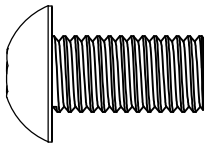
⑭ × 8



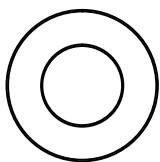
⑰ × 26



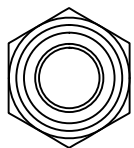
⑱ × 26



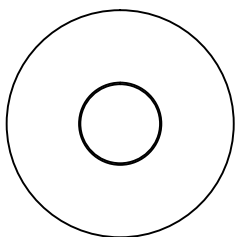
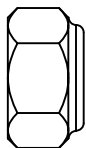
⑲ × 8



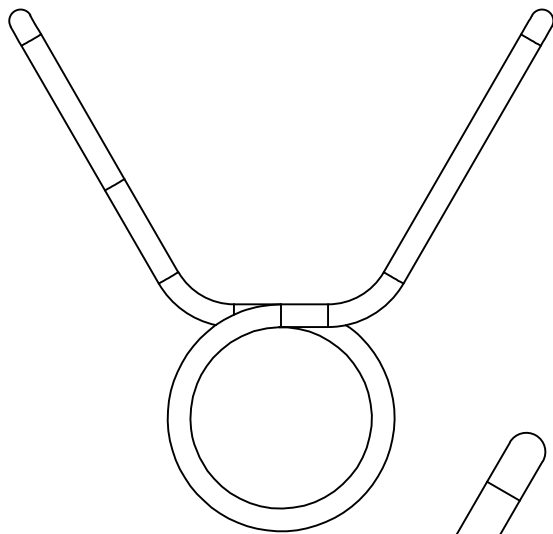
⑳ × 52



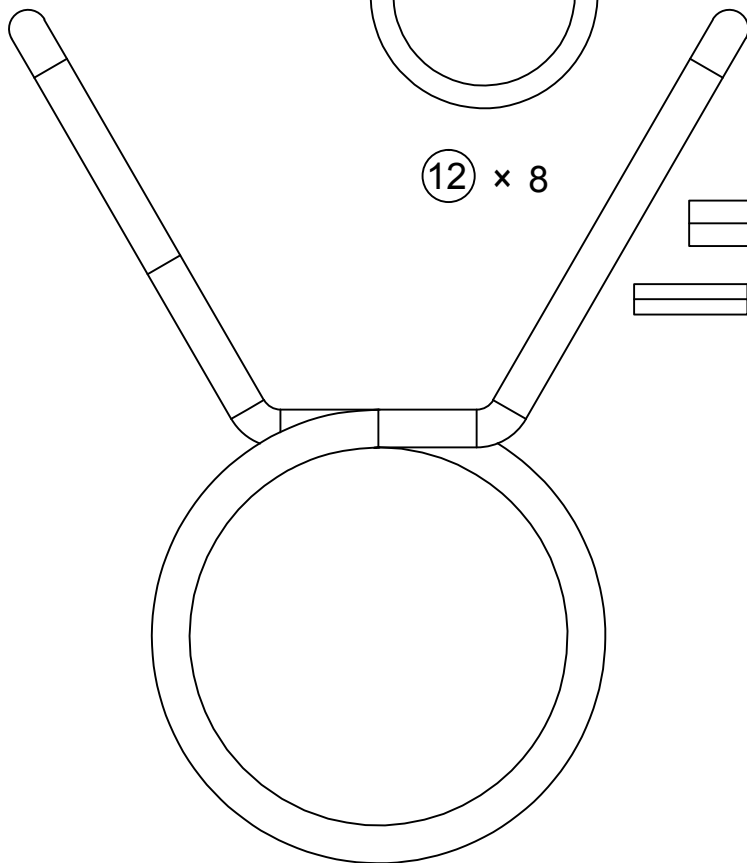
㉑ × 26



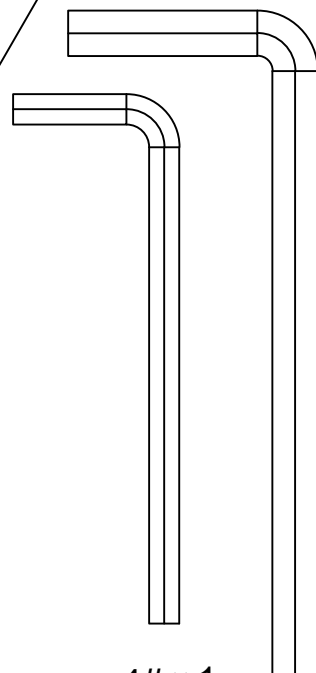
㉒ × 8



⑫ × 8



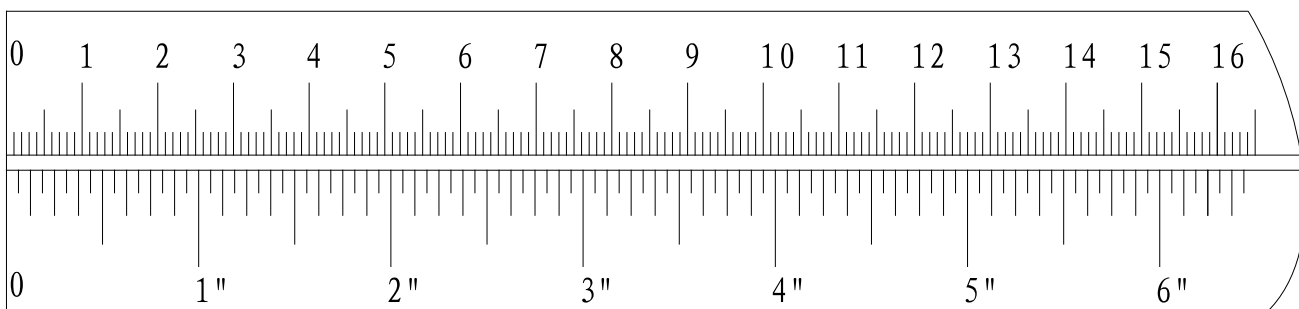
⑪ × 8

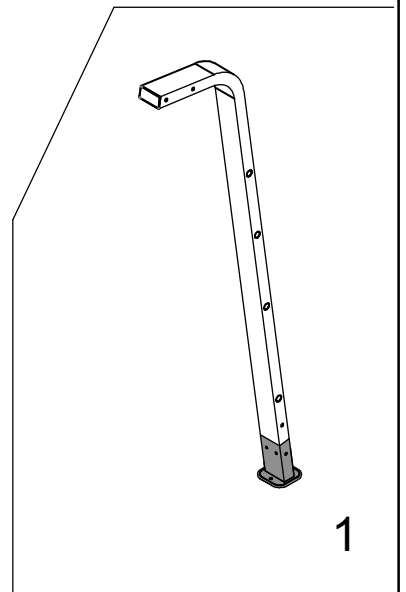
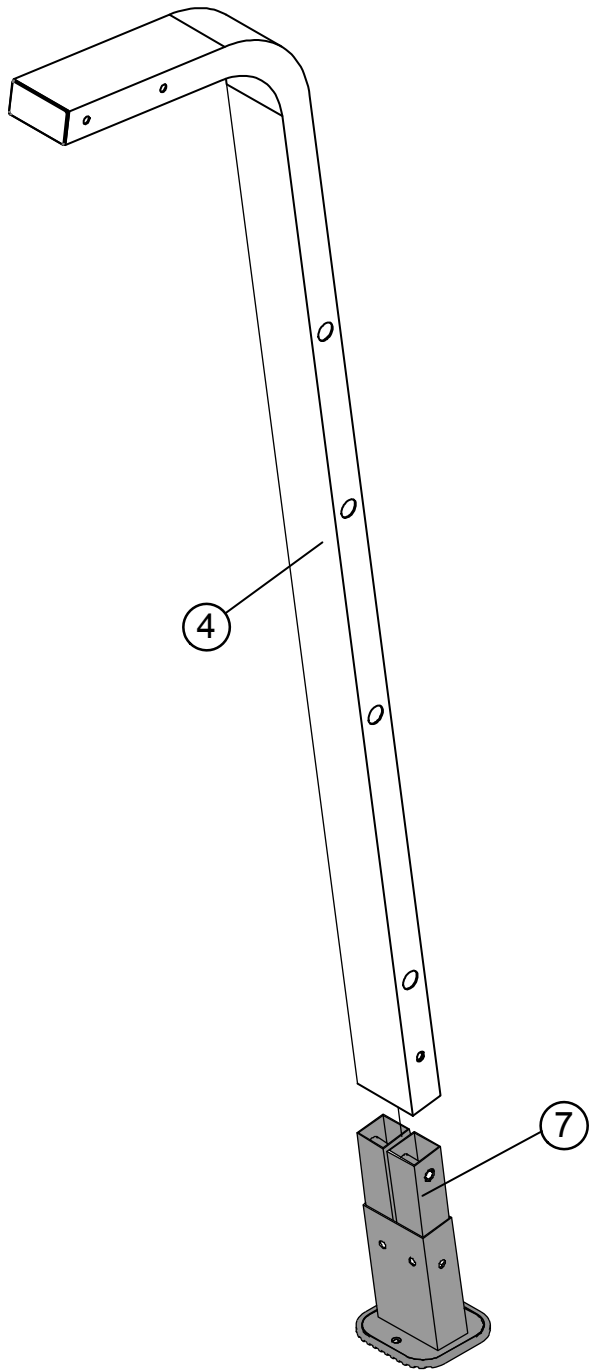
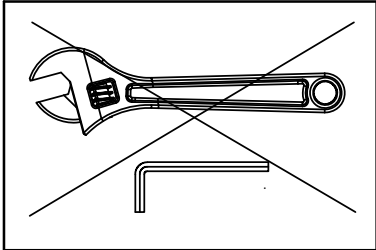


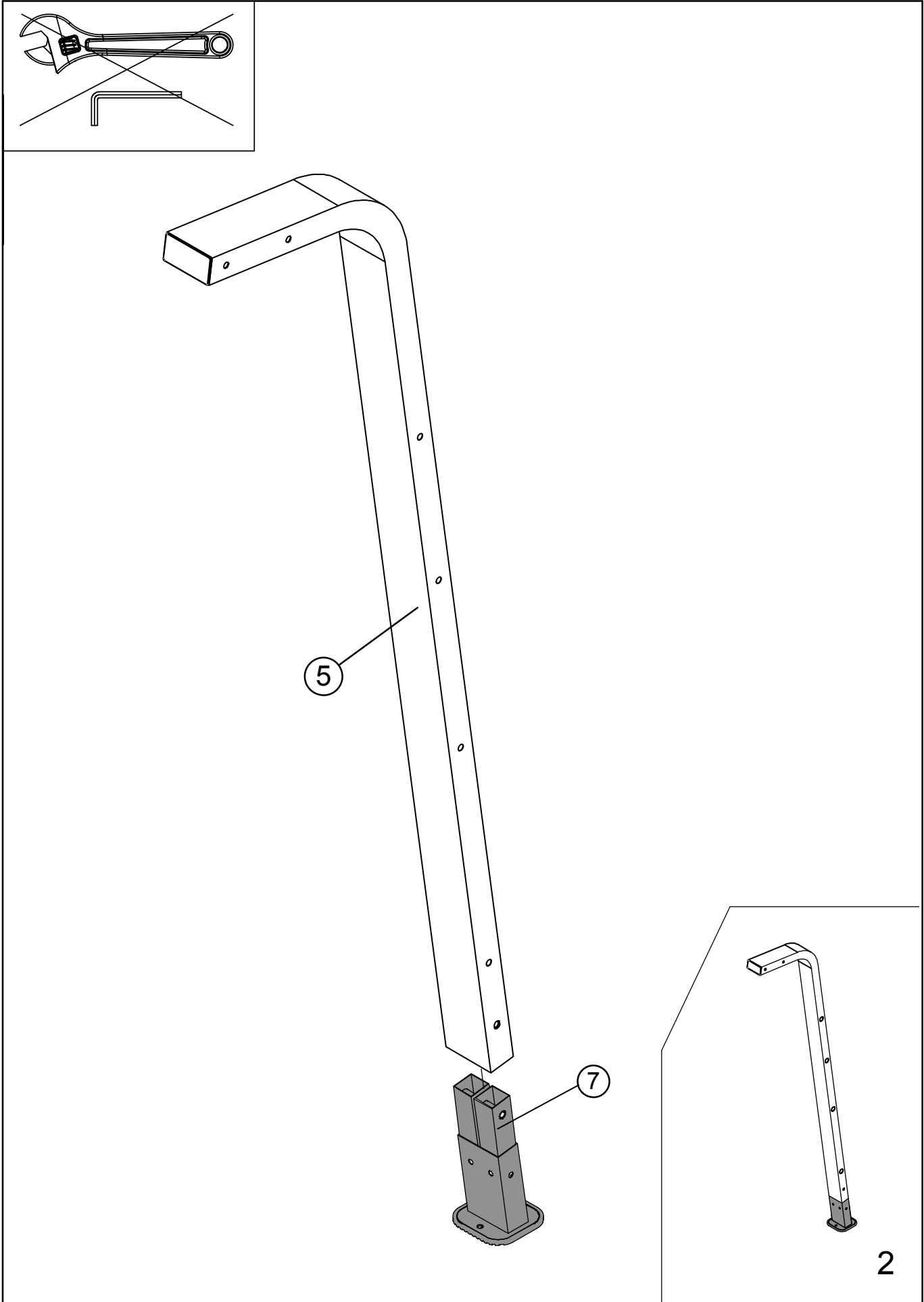
4# × 1

6# × 1

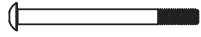
mm







18 x 3



M10x4 3/4"

20 x 6

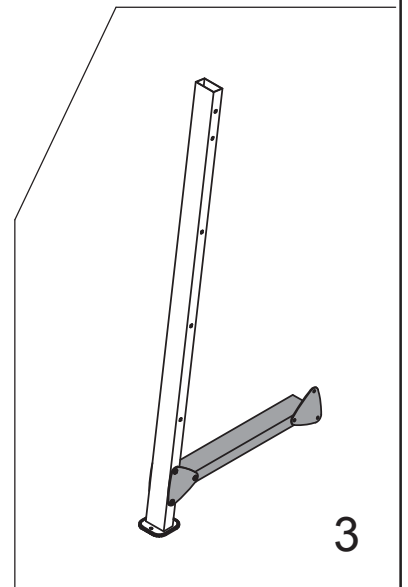
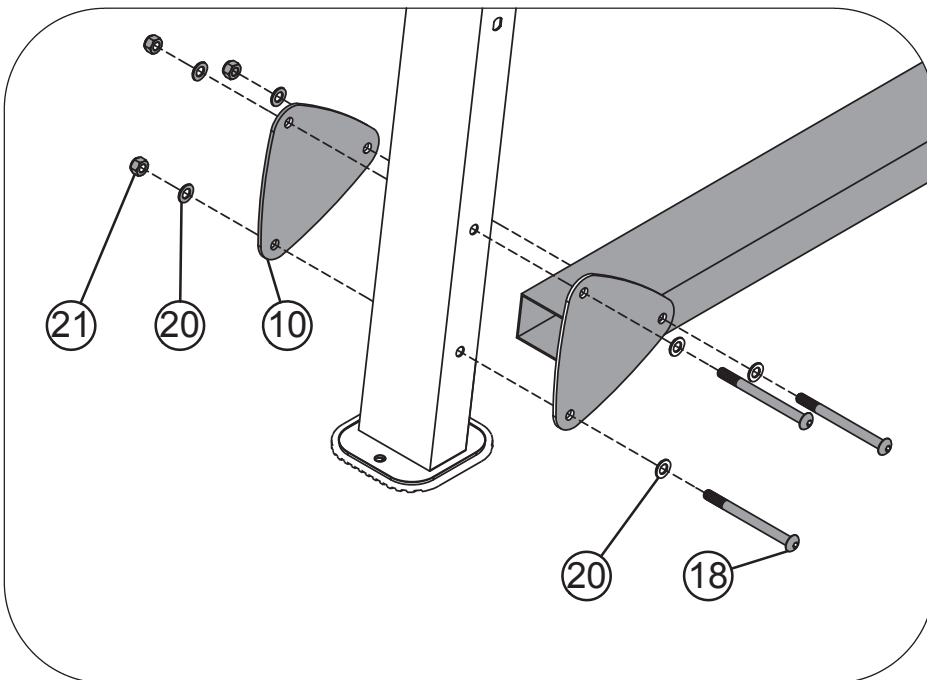
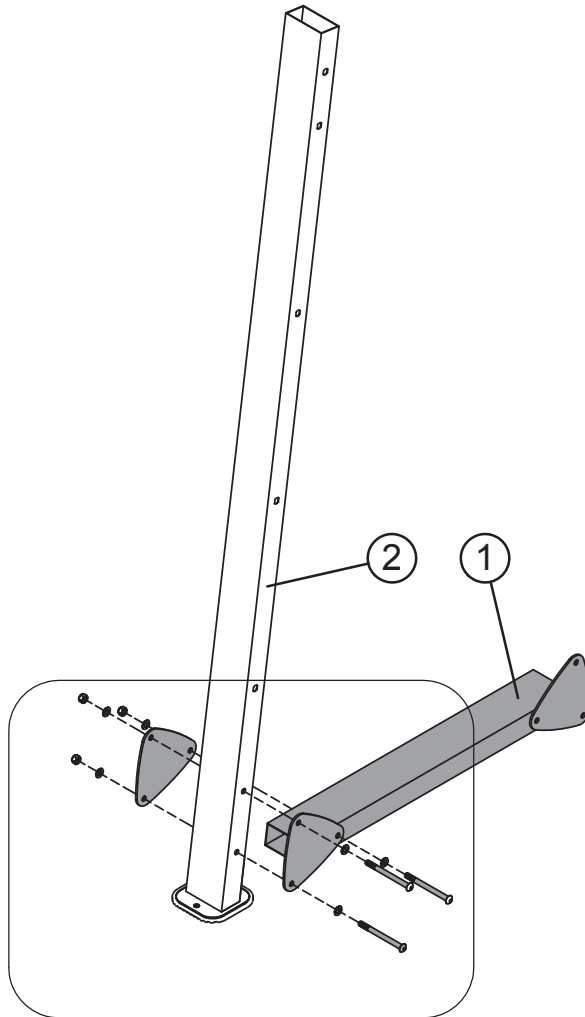
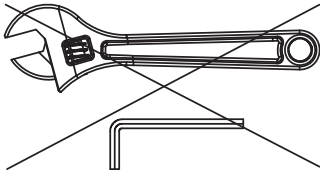


Φ 3/4"

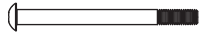
21 x 3



M10



18 x 3



M10x4 3/4"

20 x 6

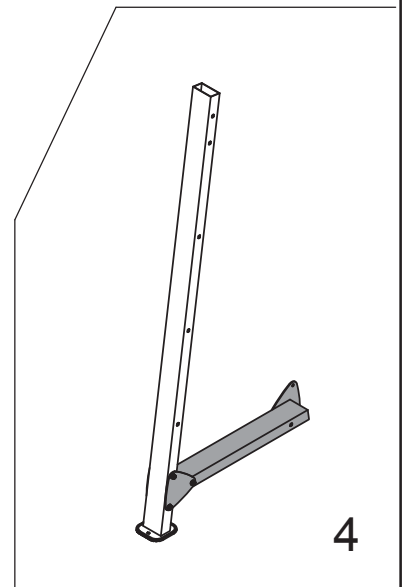
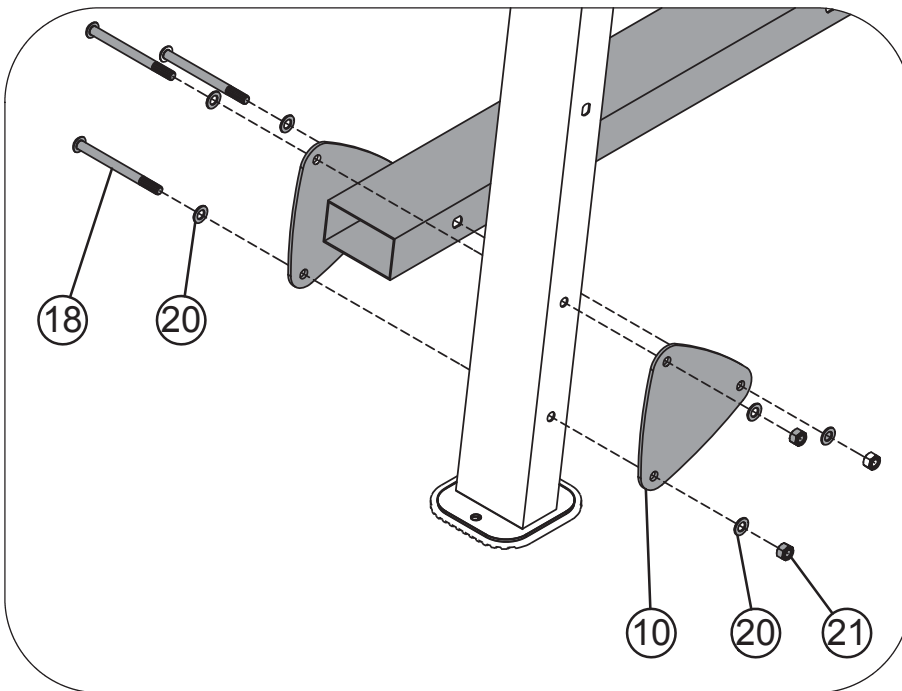
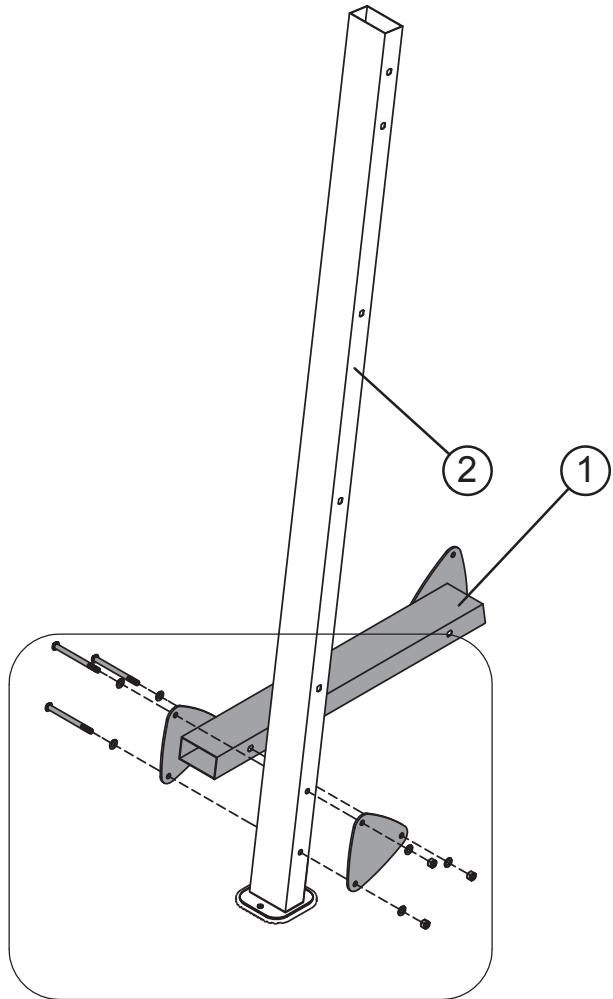
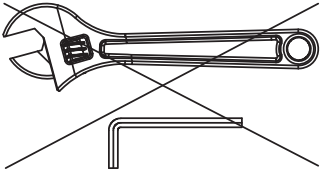


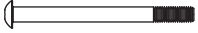


Φ 3/4"

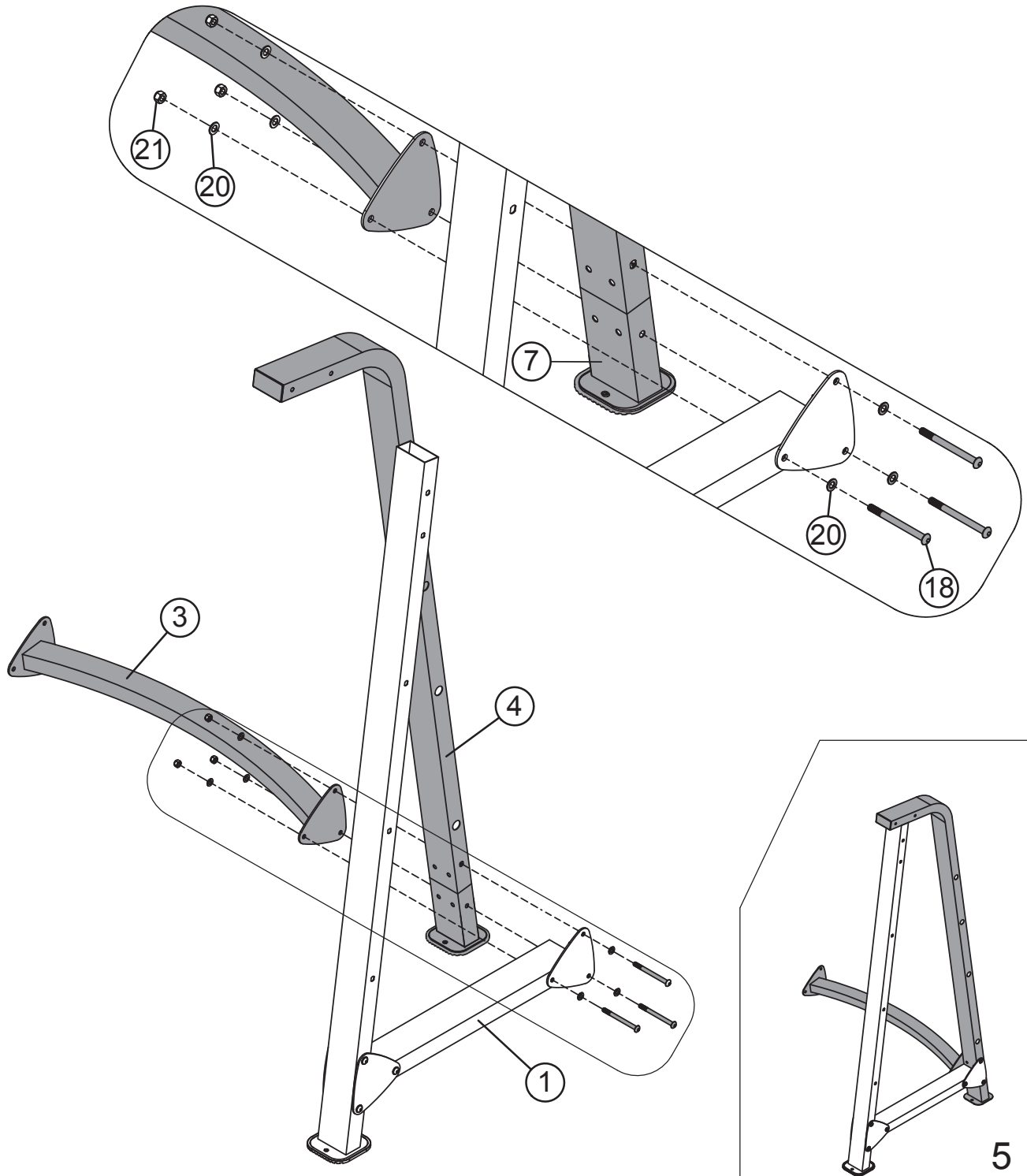
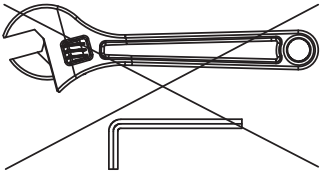
21 x 3

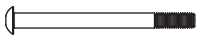




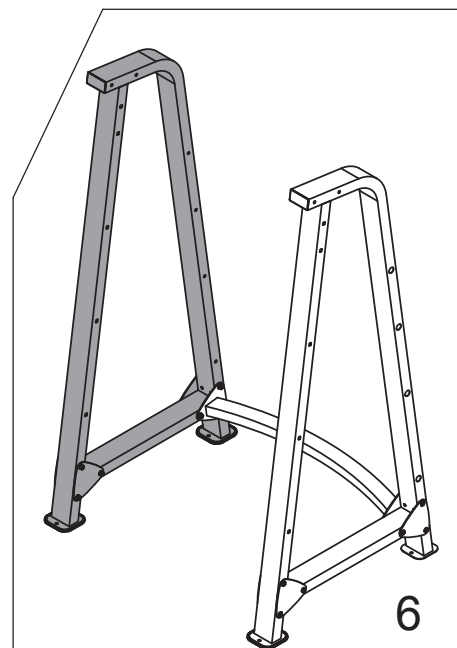
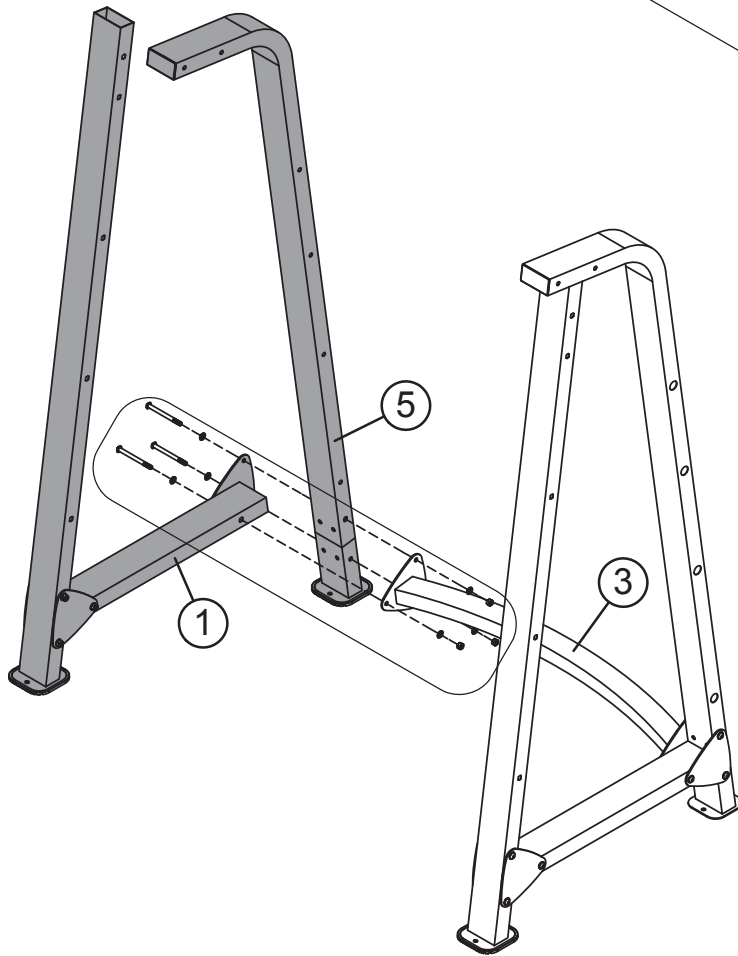
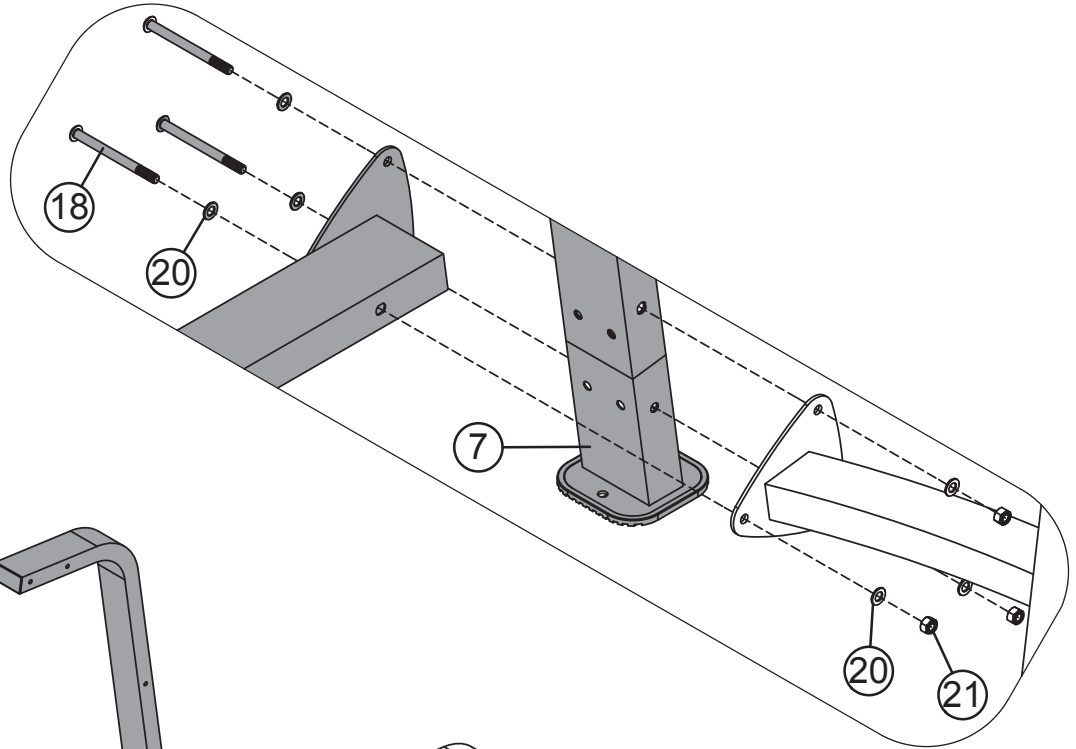
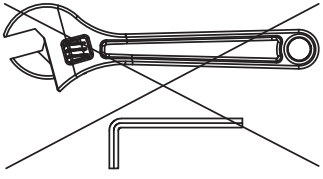
M10

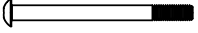





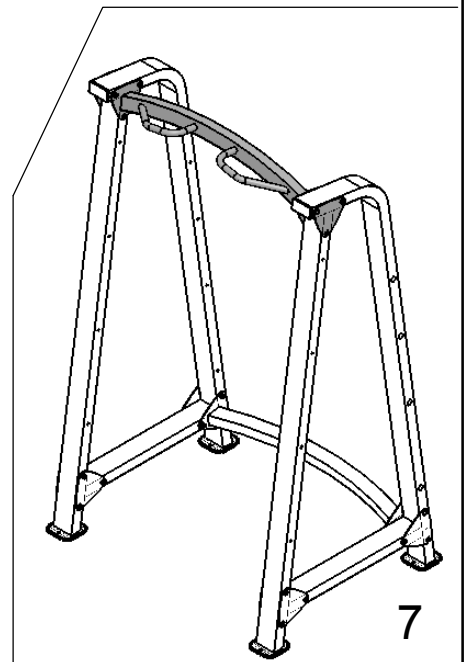
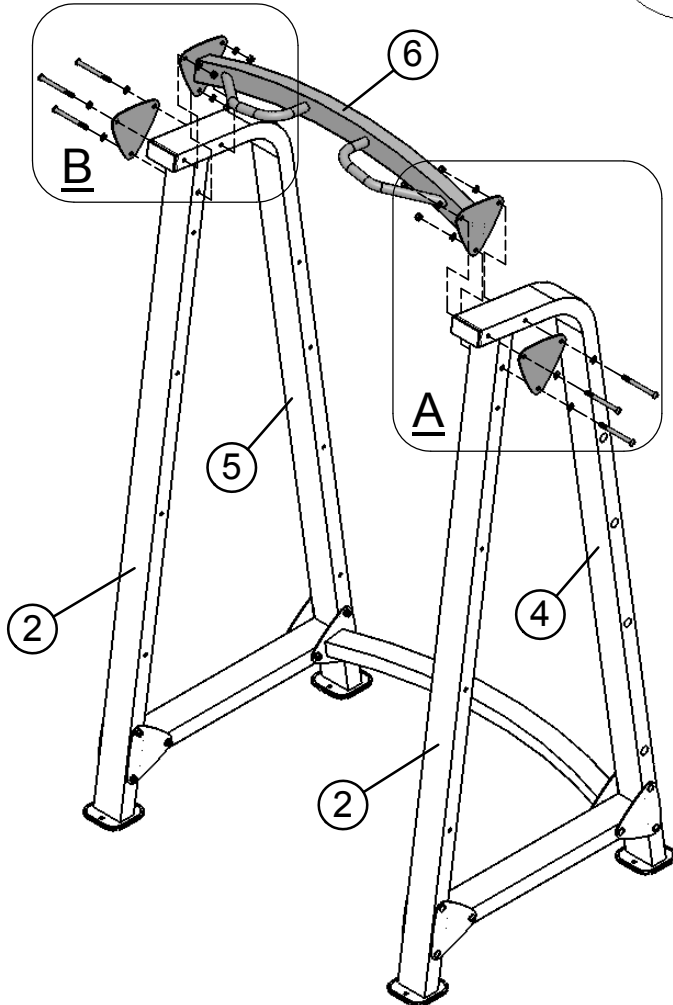
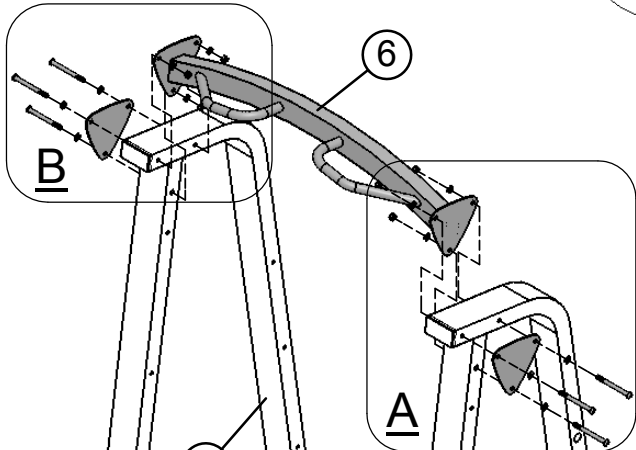
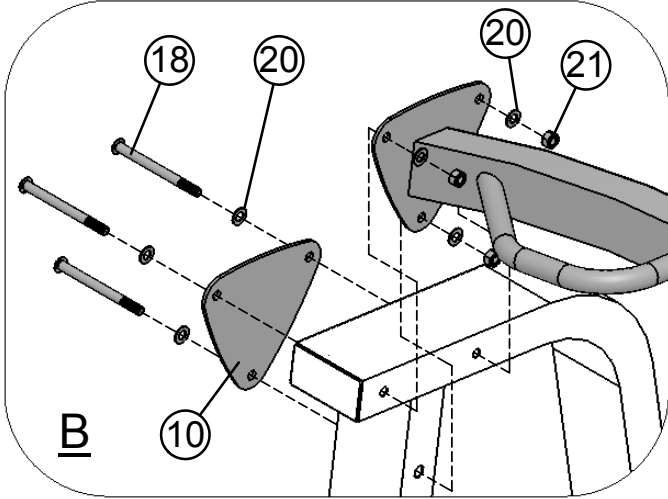
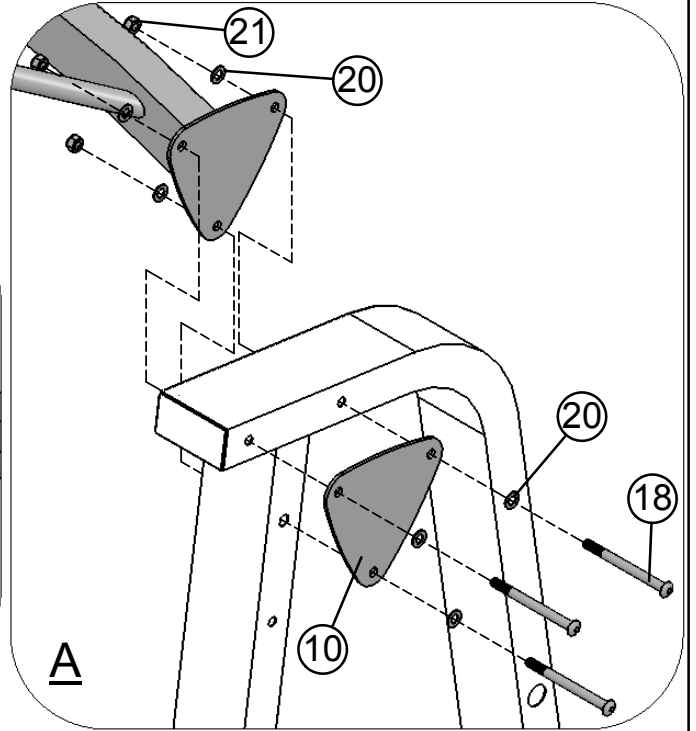
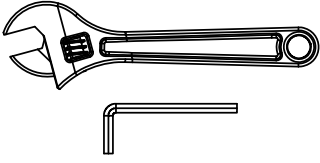
- | | | |
|-------|---|------------|
| ⑱ × 3 |  | M10×4 3/4" |
| ⑳ × 6 |  | Φ 3/4" |
| ㉑ × 3 |  | M10 |

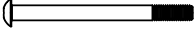


- | | | |
|-------|---|------------|
| ⑱ × 3 |  | M10×4 3/4" |
| ⑳ × 6 |  | Φ 3/4" |
| ㉑ × 3 |  | M10 |



- | | | |
|----------|---|------------|
| Ⓜ18 × 6 |  | M10×4 3/4" |
| Ⓜ20 × 12 |  | Φ 3/4" |
| Ⓜ21 × 6 |   | M10 |



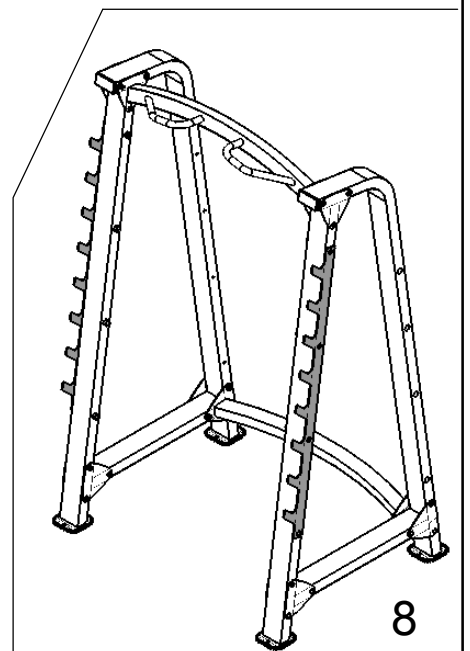
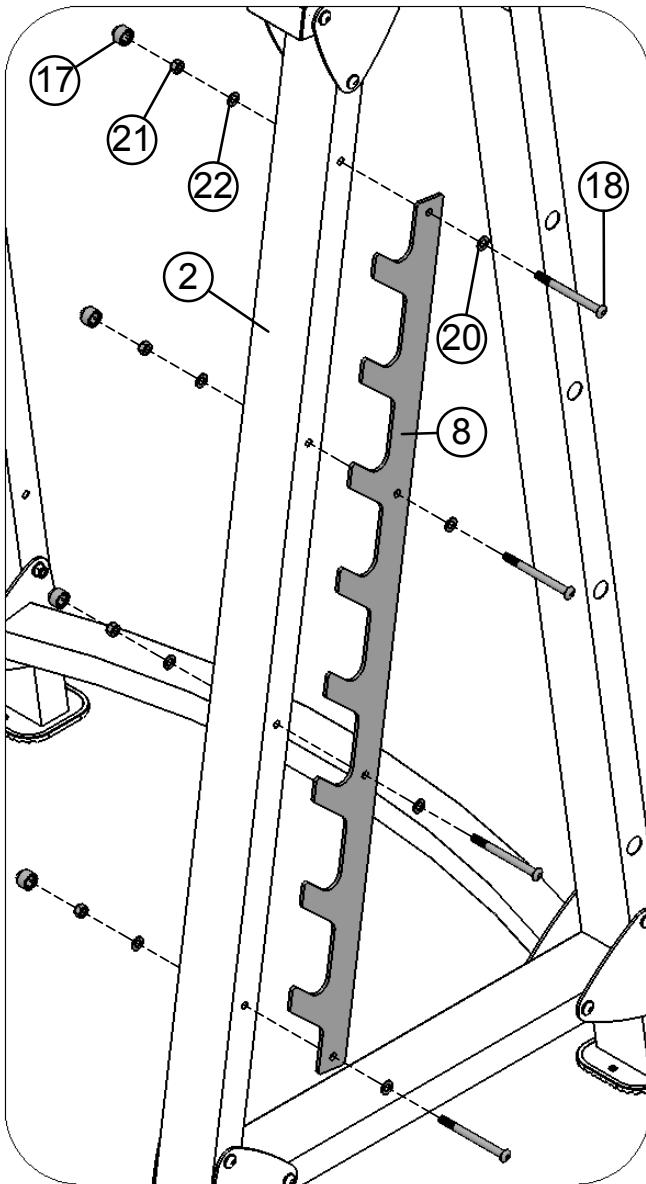
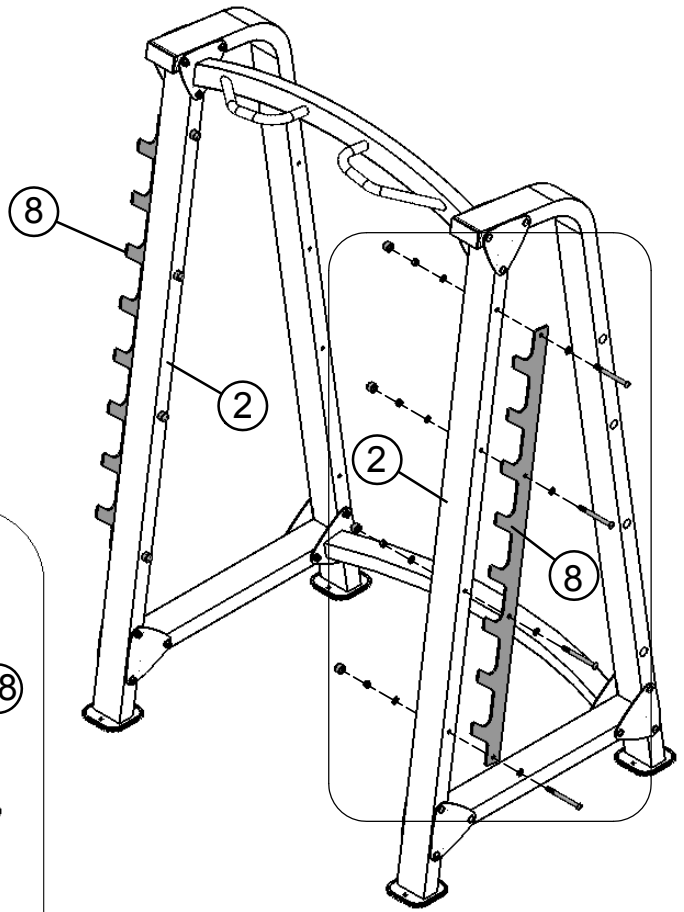
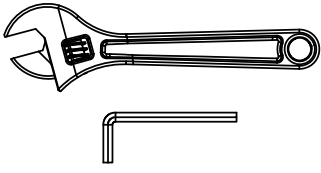
⑱ × 8  M10×4 3/4"

⑰ × 8  M10

⑳ × 8  | Φ 3/4"

㉒ × 8  | Φ 1 1/5"

㉑ × 8  M10



19 x 8

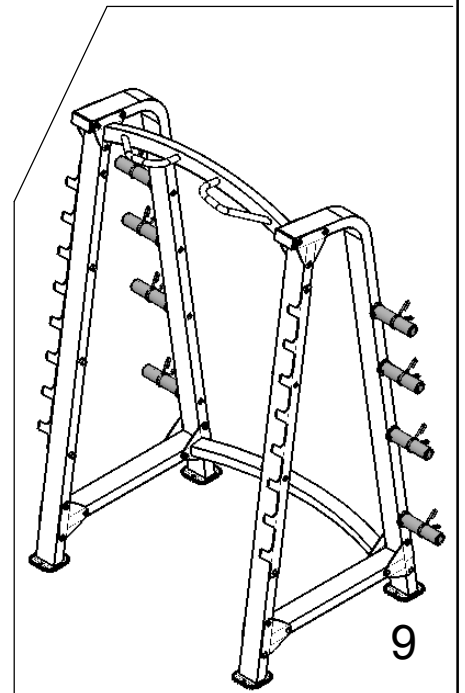
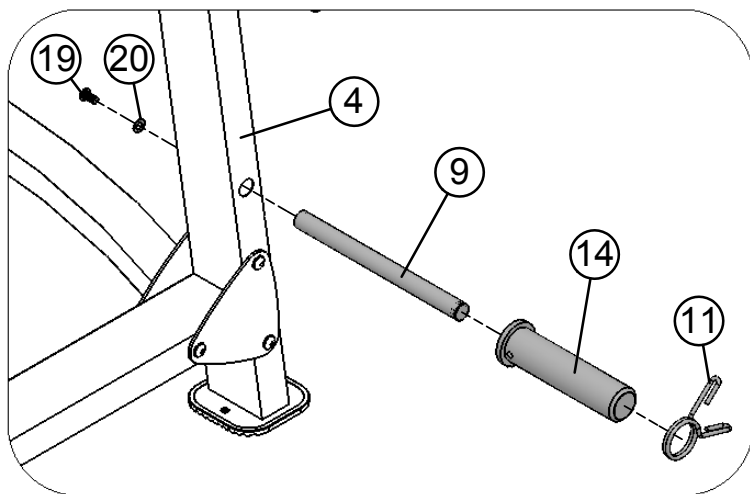
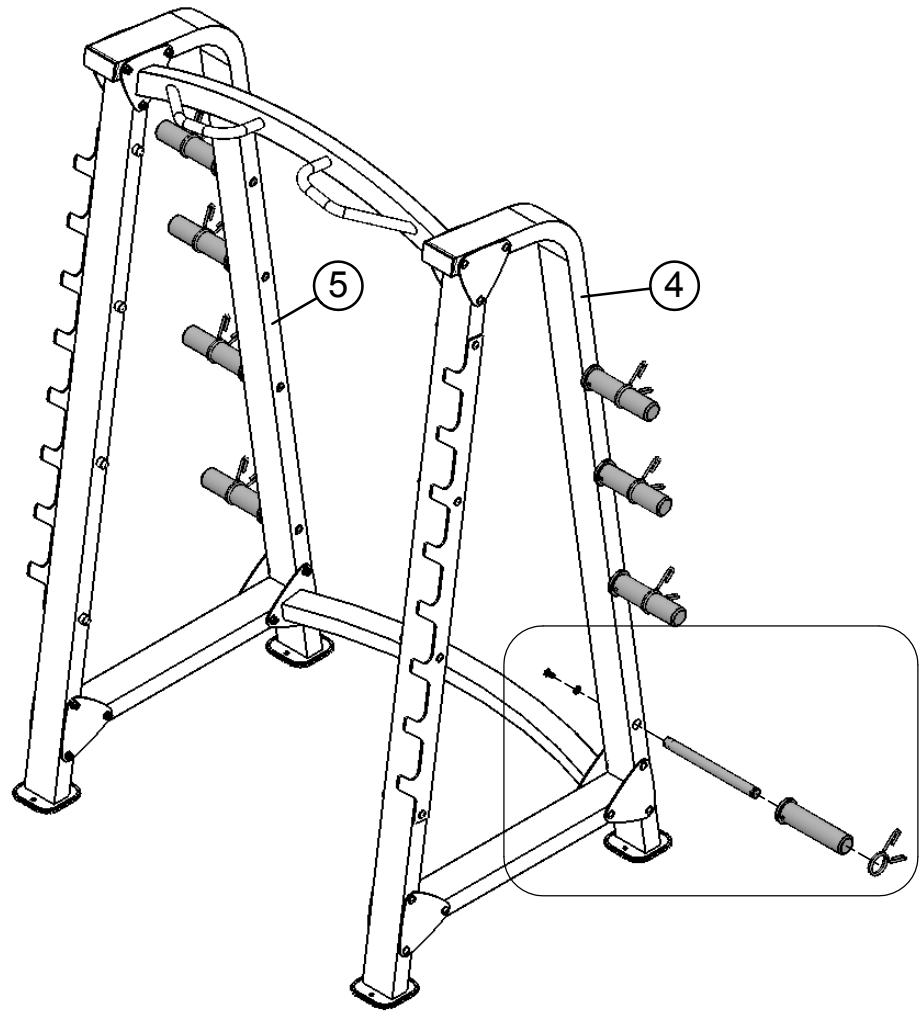
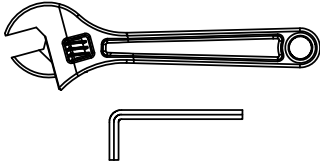


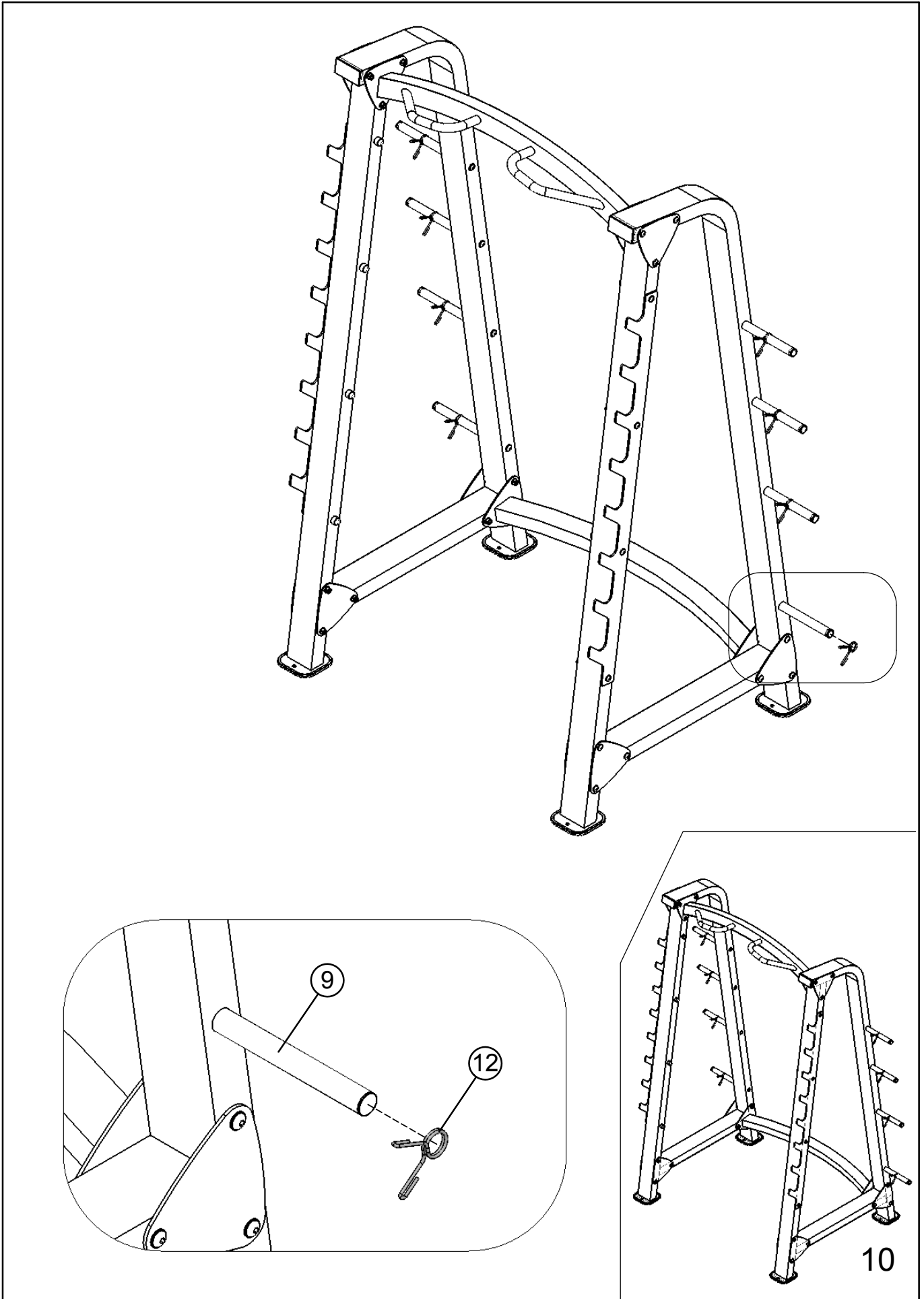
M10x3/4"

20 x 8



Φ 3/4"

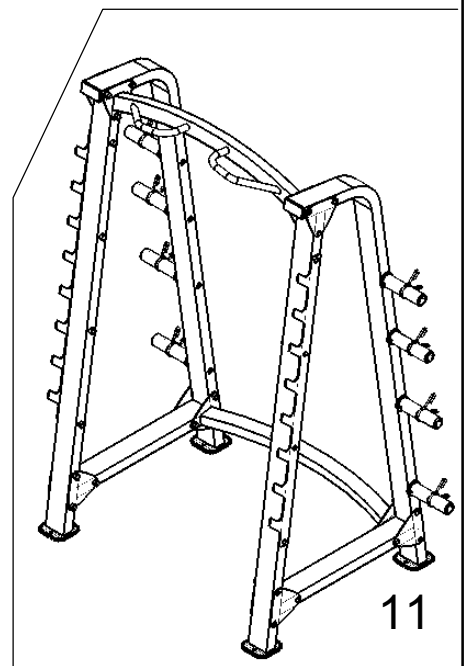
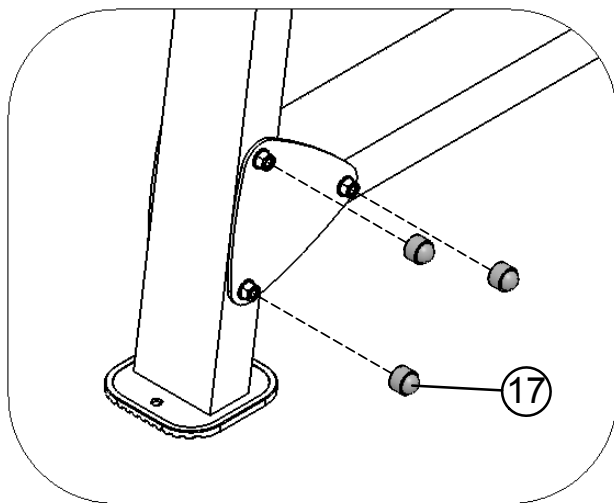
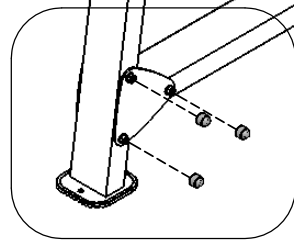
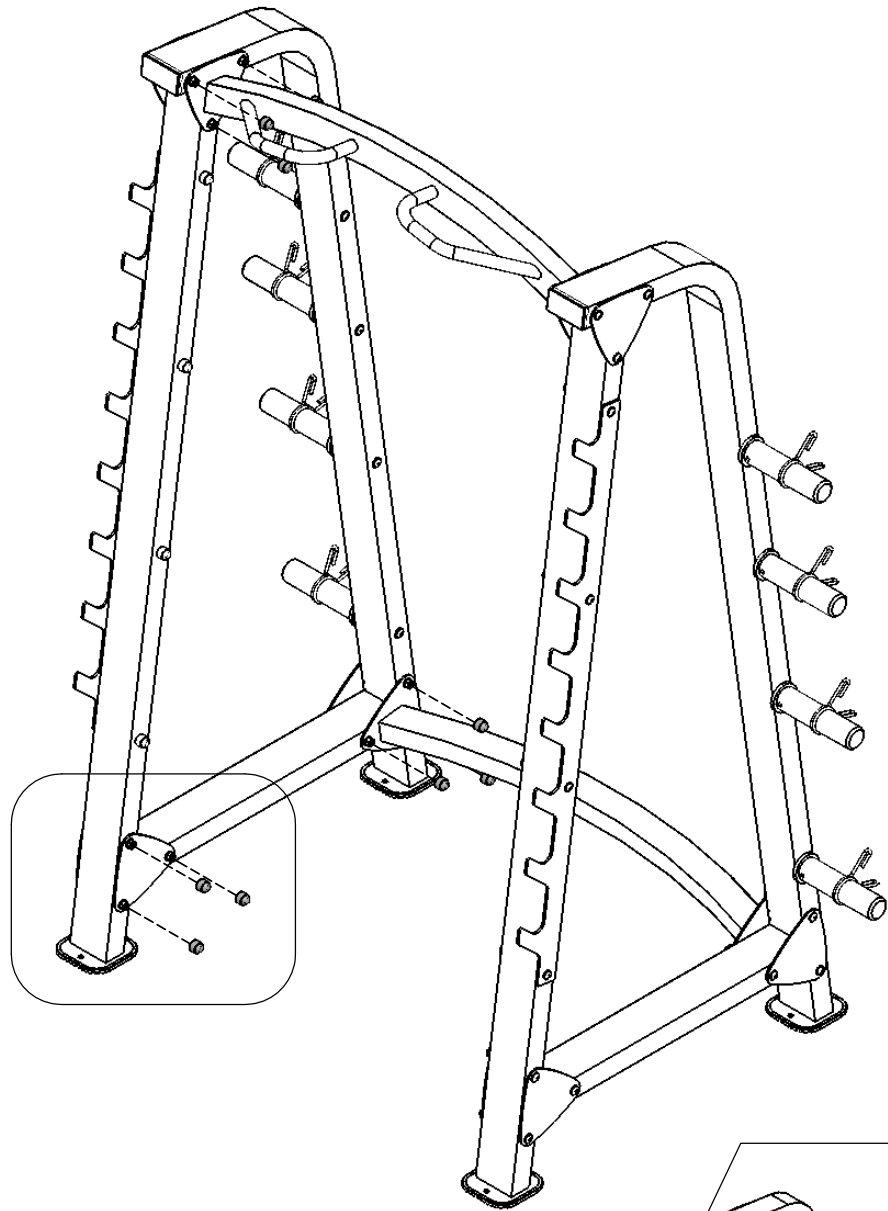


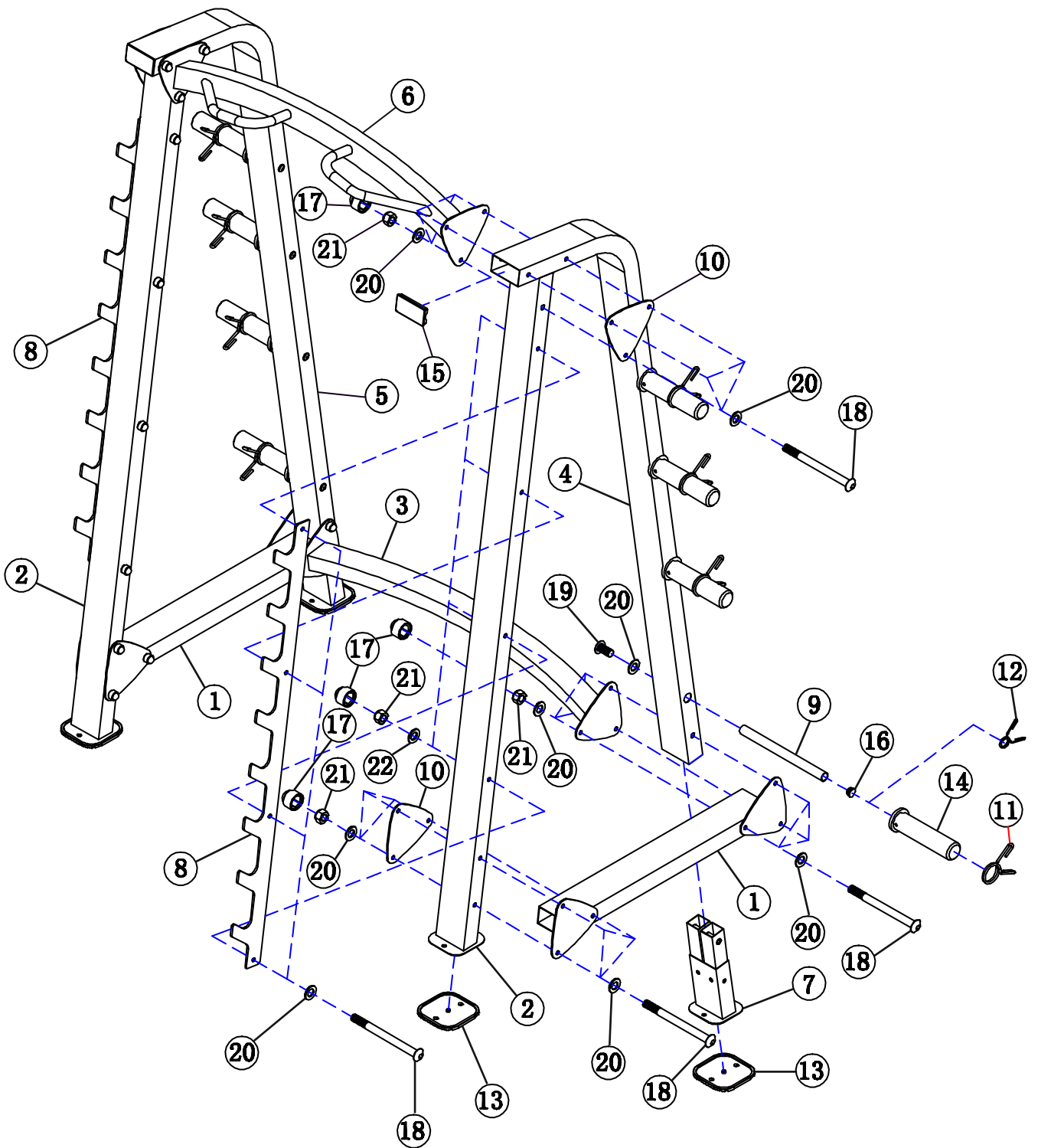


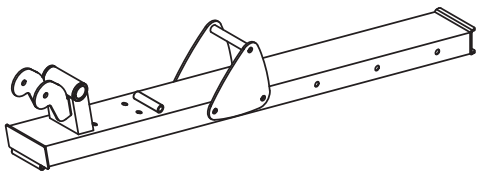
17 x 18



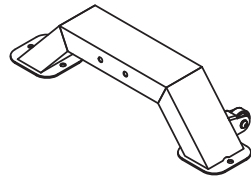
M10



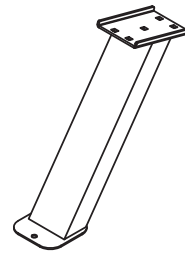




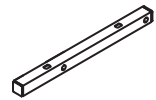
① × 1



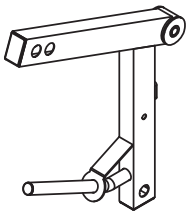
② × 1



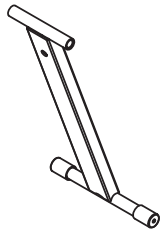
③ × 1



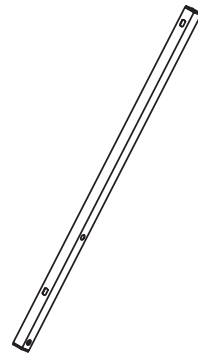
④ × 2



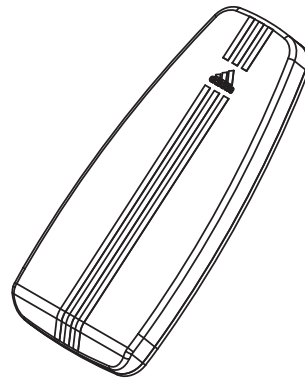
⑤ × 1



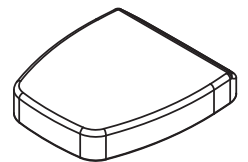
⑥ × 1



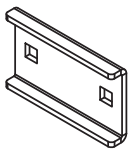
⑦ × 2



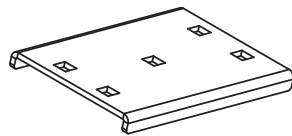
⑧ × 1



⑨ × 1



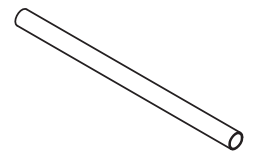
⑪ × 1



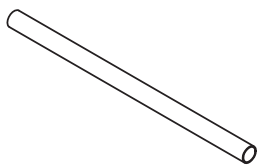
⑫ × 1



⑬ × 2



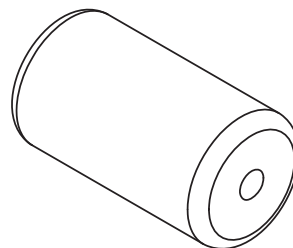
⑭ × 2



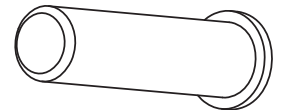
⑮ × 1



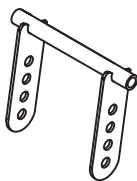
⑲ × 6



⑳ × 6



㉕ × 1



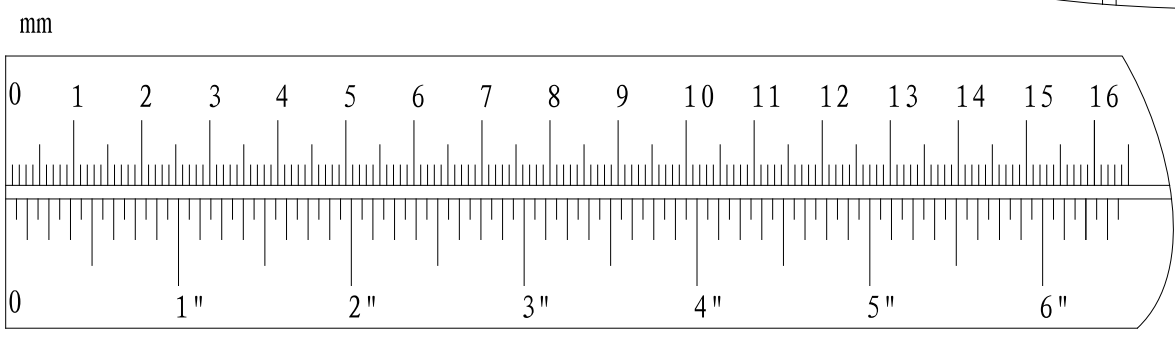
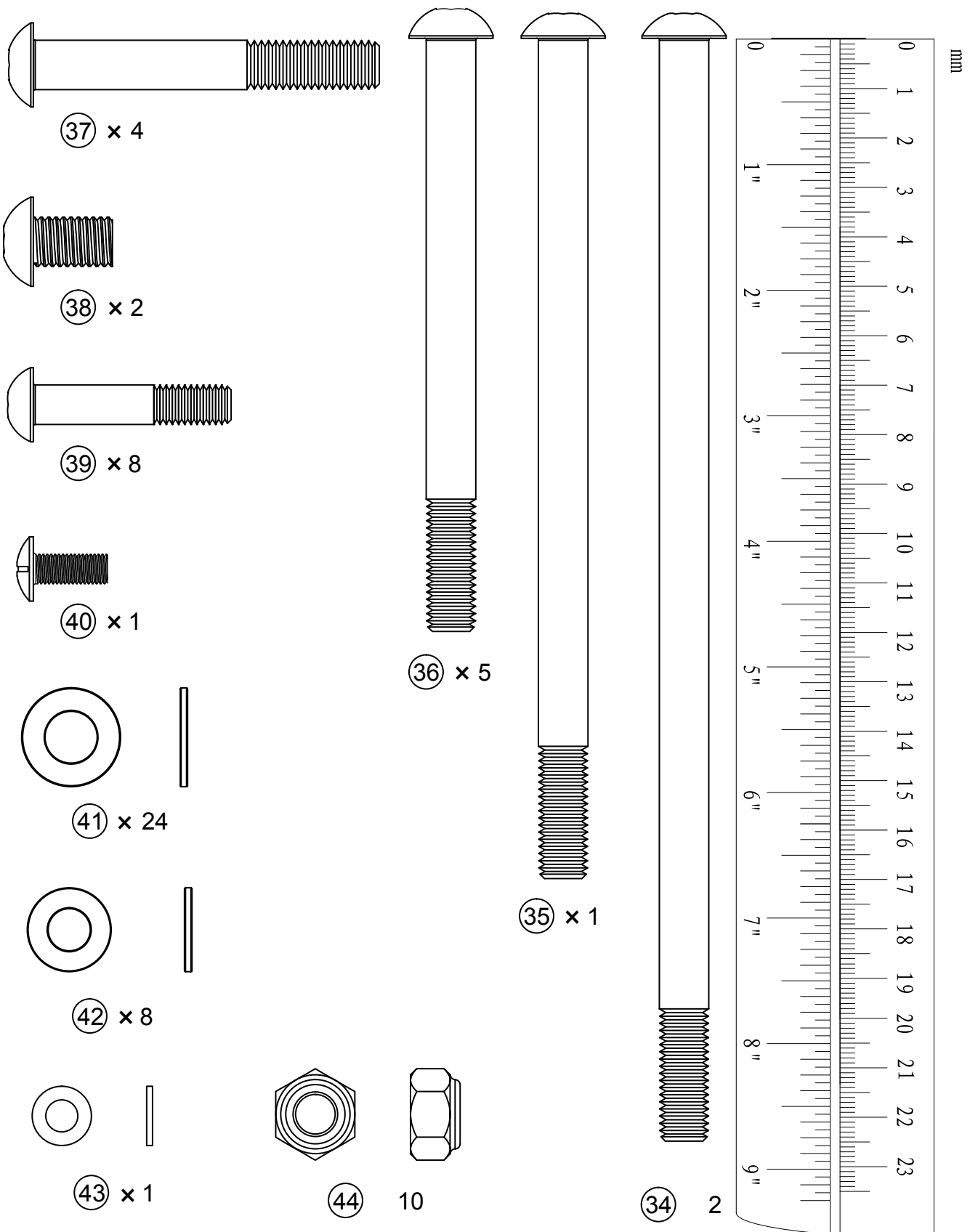
㉔ × 1



④⑥ × 10



④⑦ × 2

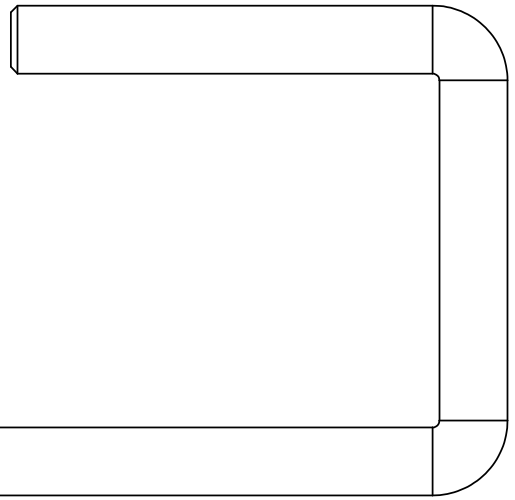




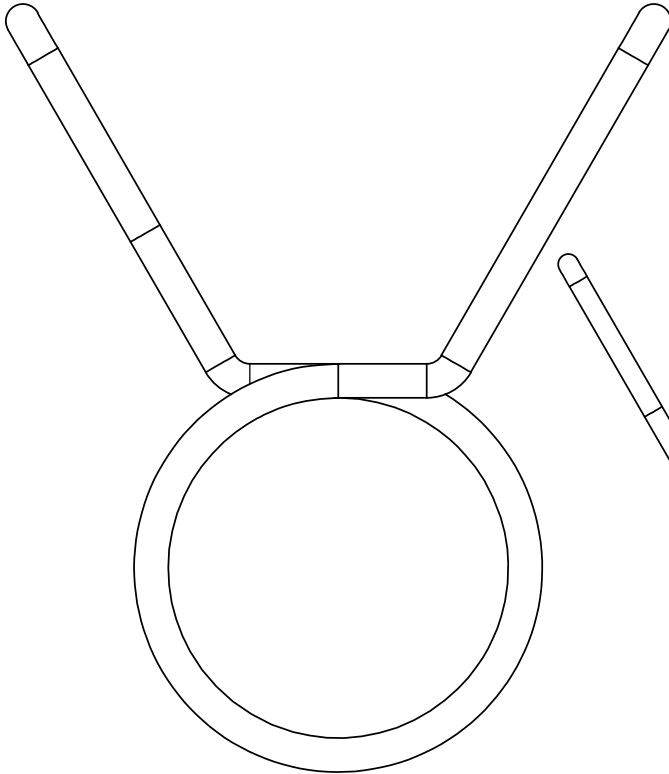
②9 × 1



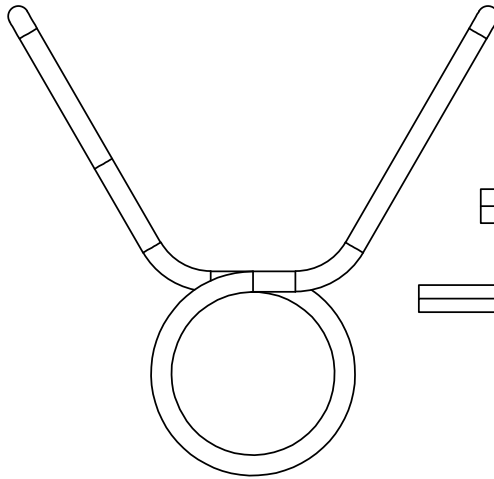
③0 × 1



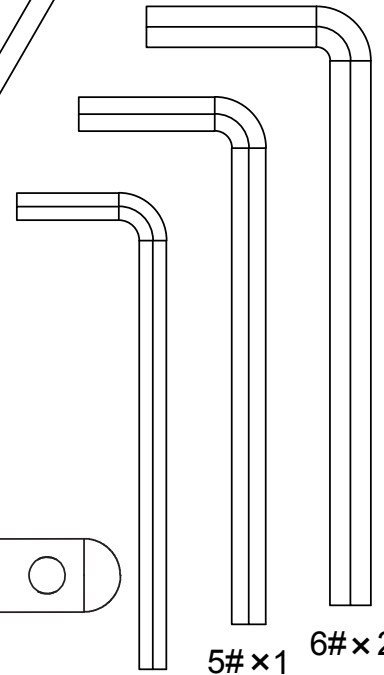
③1 × 1



③2 × 1



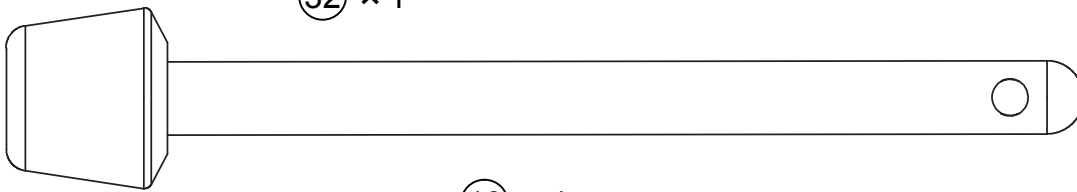
③3 × 1



4# × 1

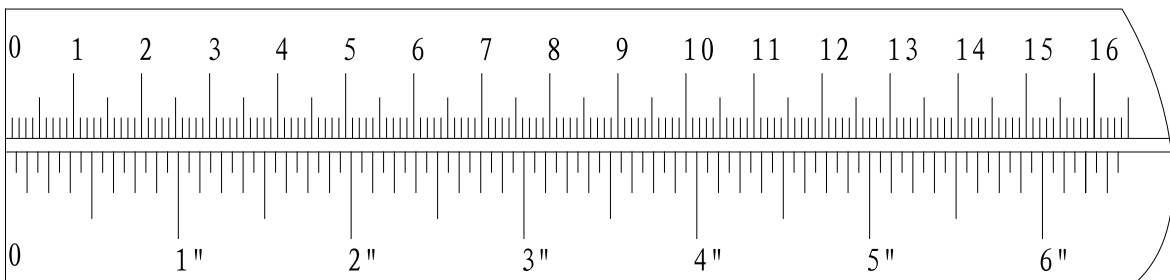
5# × 1

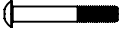




6# × 2

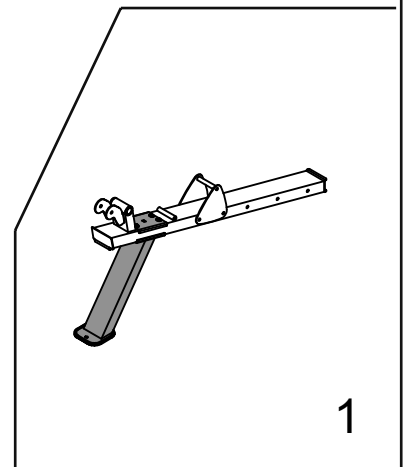
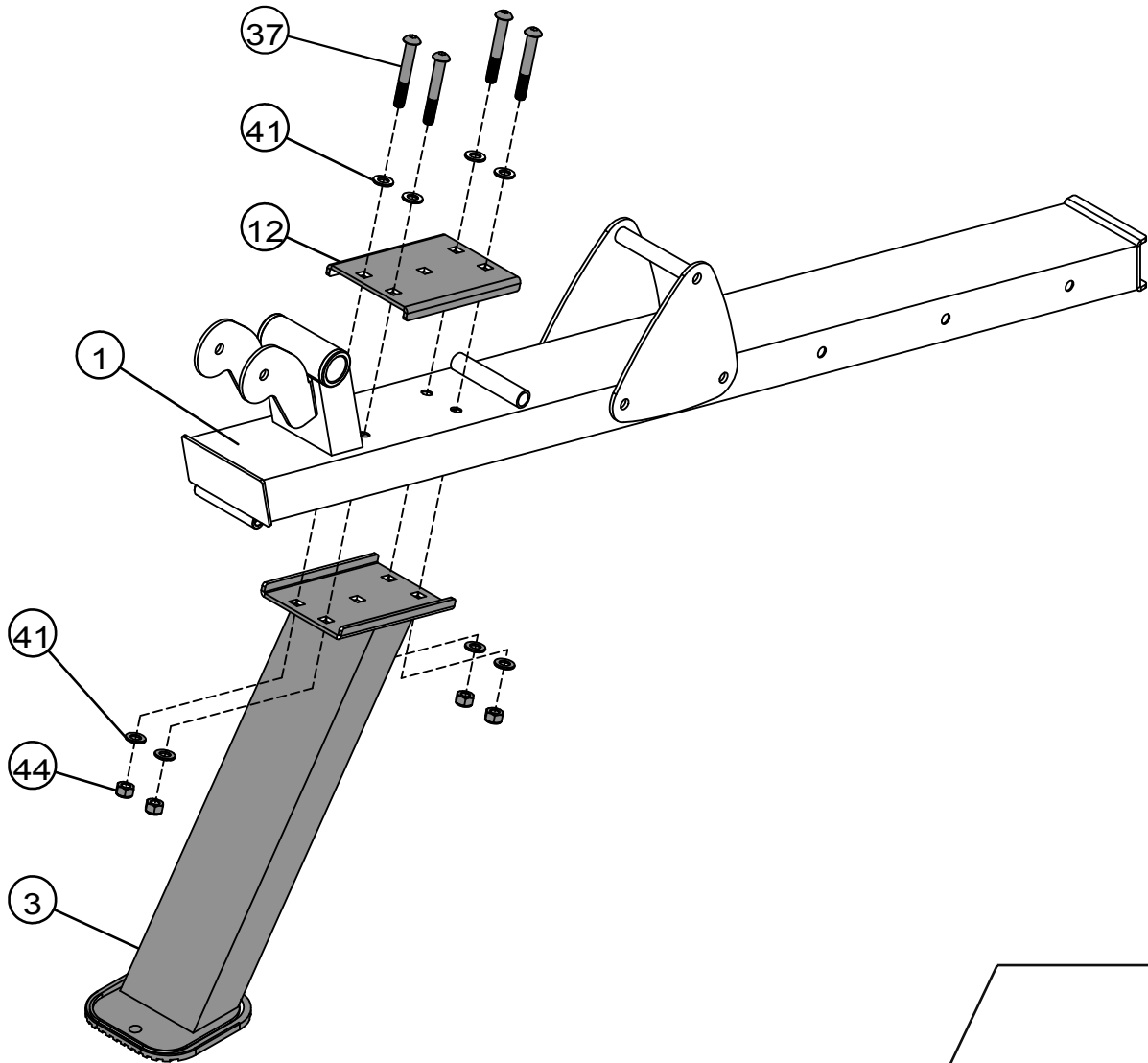
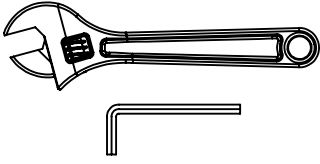


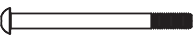
⑩ × 1

mm



- | | | |
|--------|---|------------|
| ③⑦ × 4 |  | M10×2 3/4" |
| ④① × 8 |   | Φ 3/4" |
| ④④ × 4 |   | M10 |

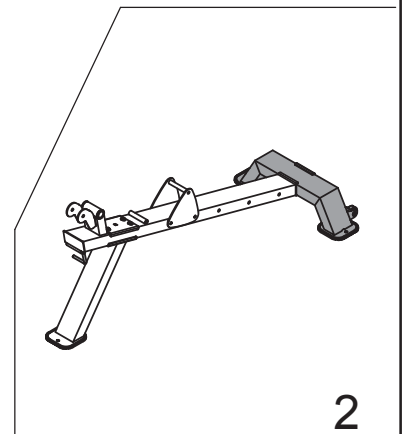
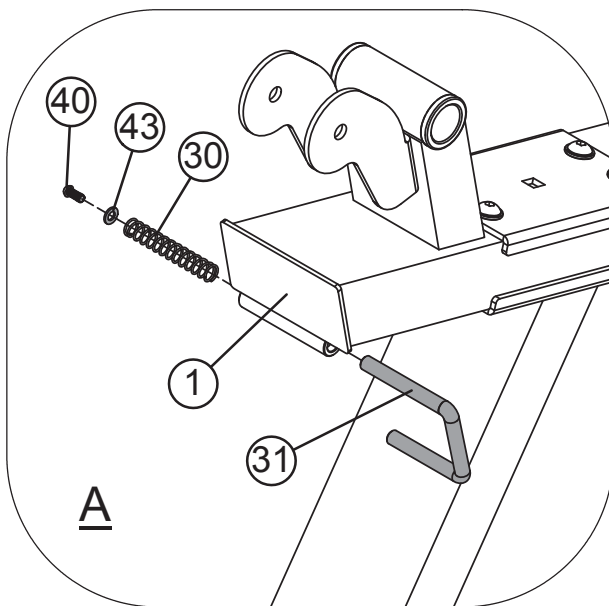
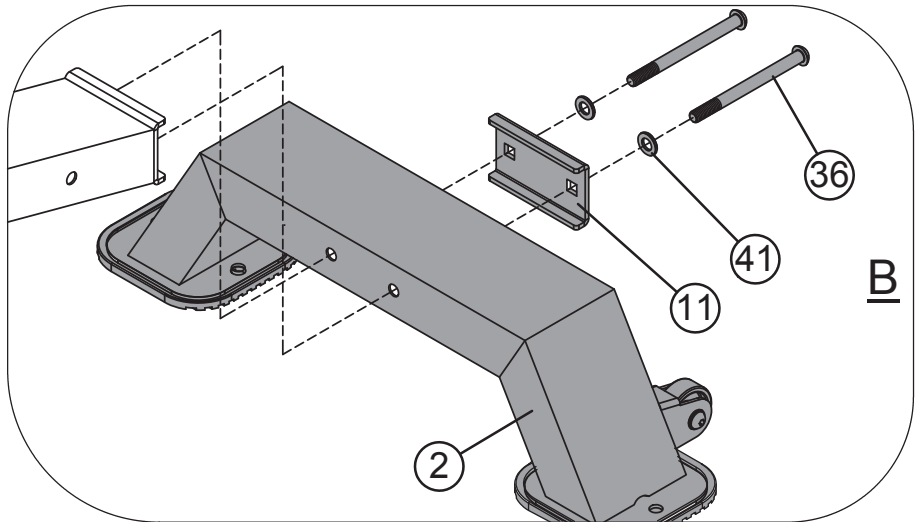
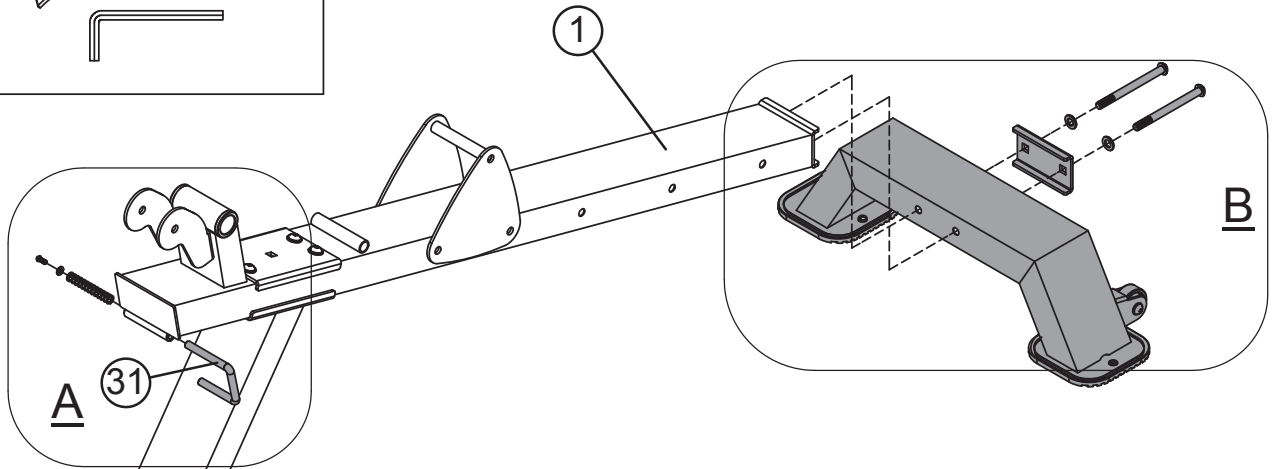
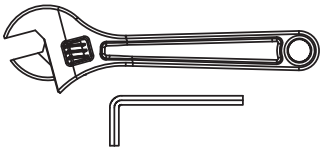


③⑥ × 2  M10×4 3/4"

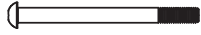
④① × 1  M6× 1/2"

④③ × 2  | Φ 3/4"

④④ × 1  | Φ 1/2"



36 × 3



M10×4 3/4"

41 × 6

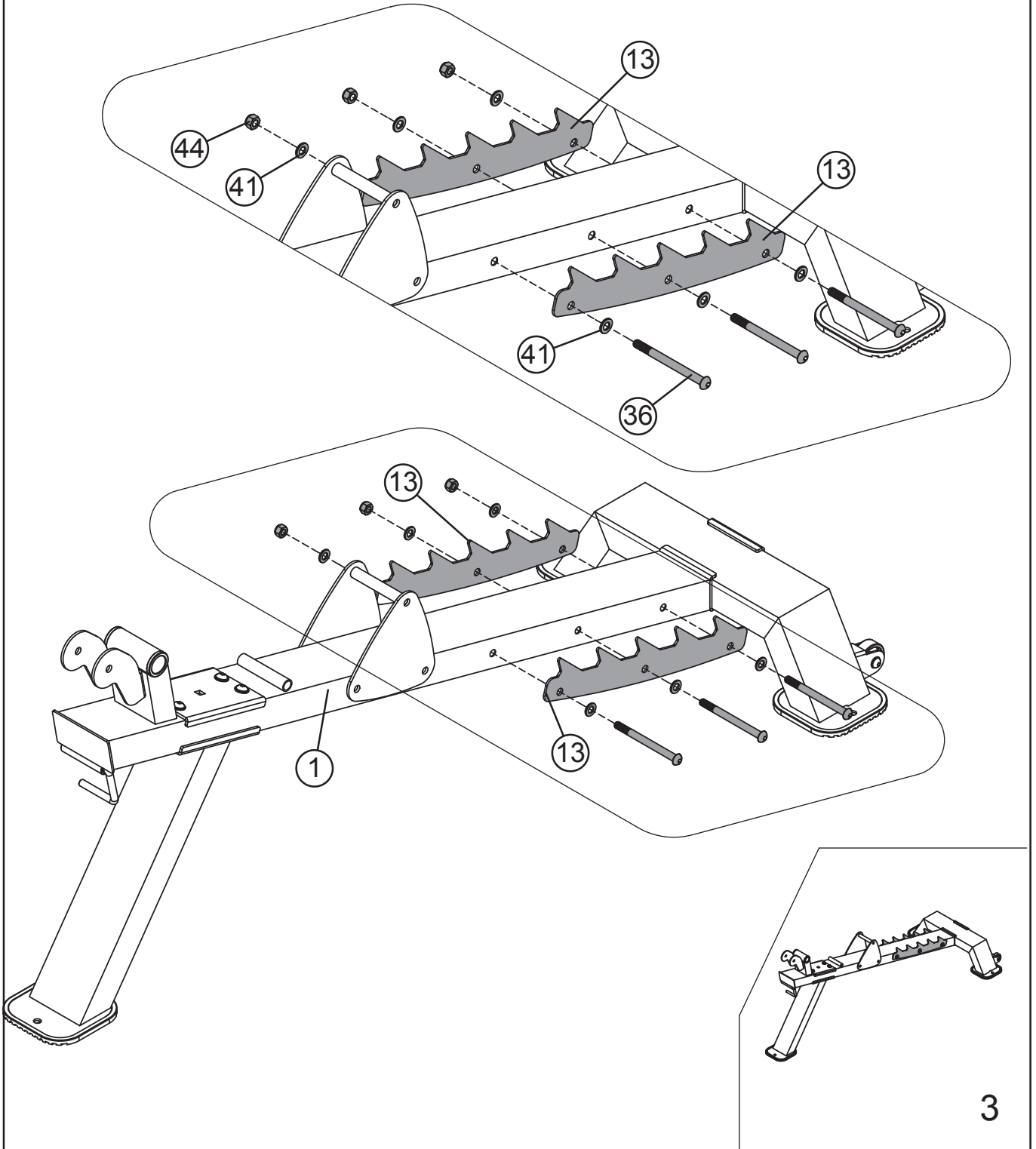


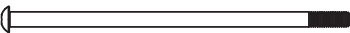



Φ3/4"

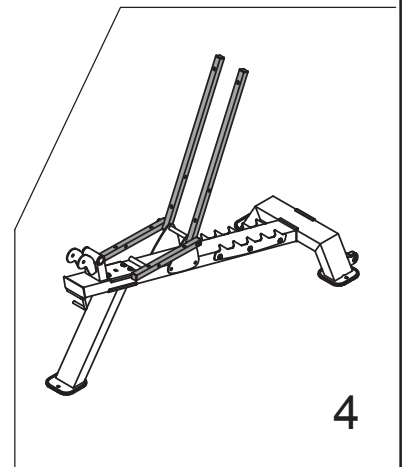
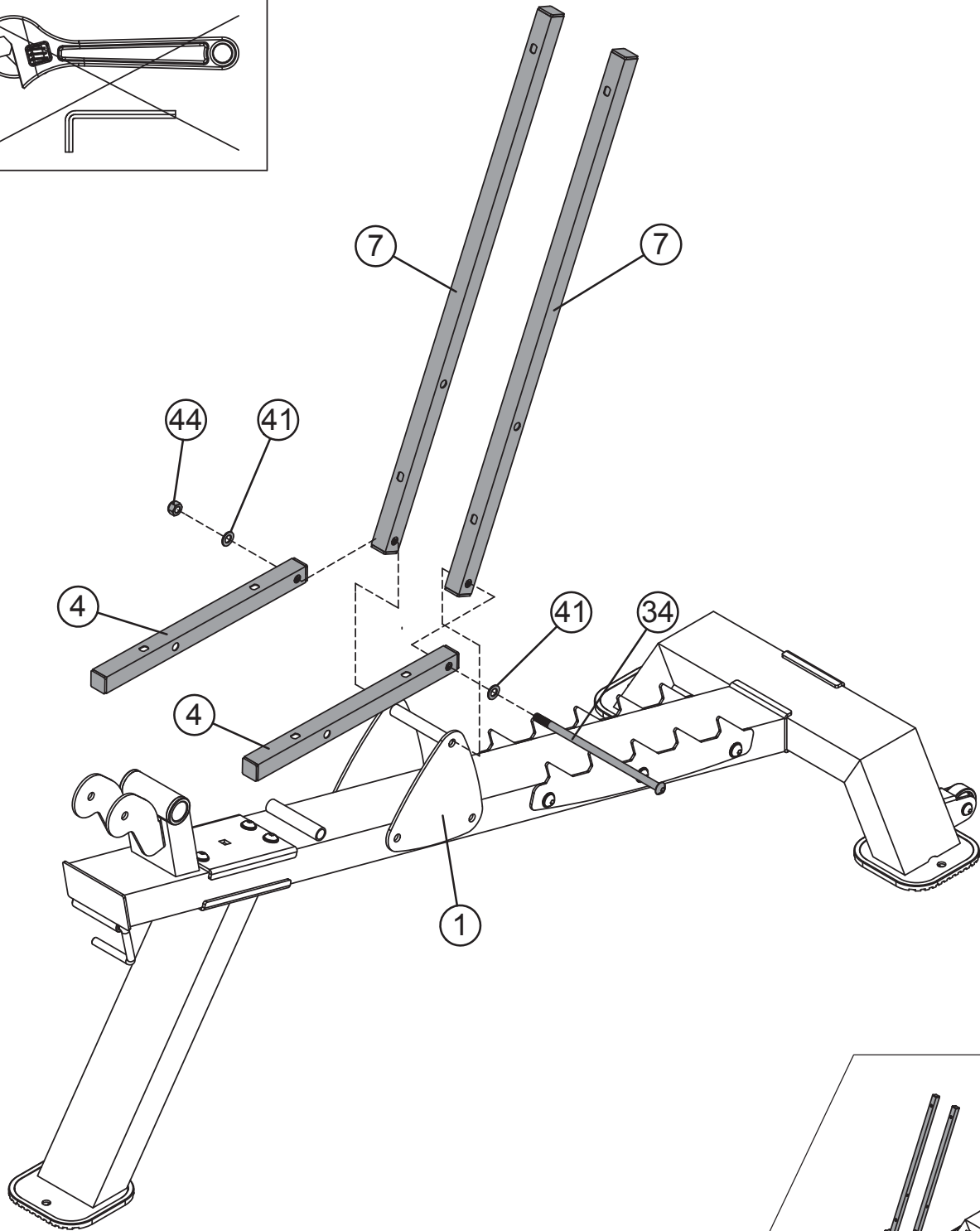
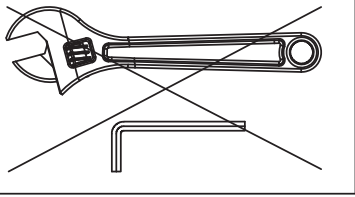
44 × 3

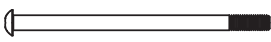


M10




- | | | |
|--------|---|------------|
| ③④ × 1 |  | M10×8 7/8" |
| ④① × 2 |  | Φ3/4" |
| ④④ × 1 |   | M10 |




③⑤ × 1 

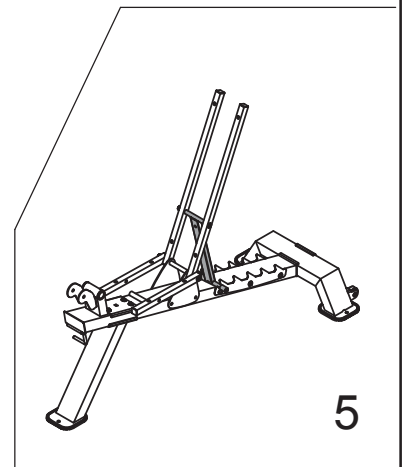
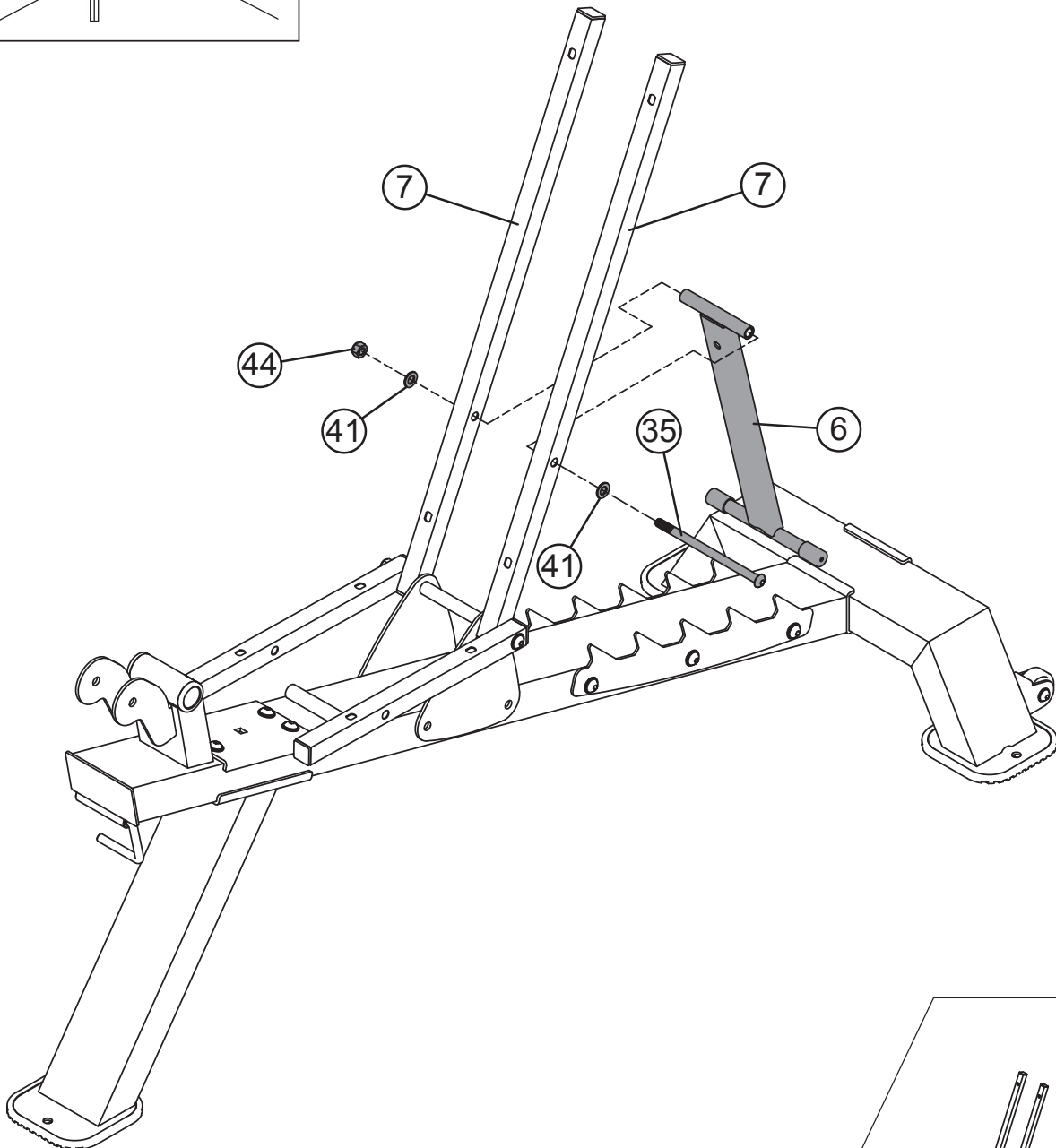
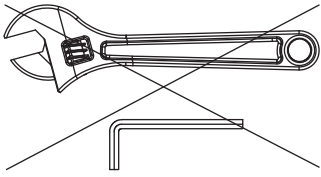
M10×6 3/4"

④① × 2  |

Φ 3/4"

④④ × 1  

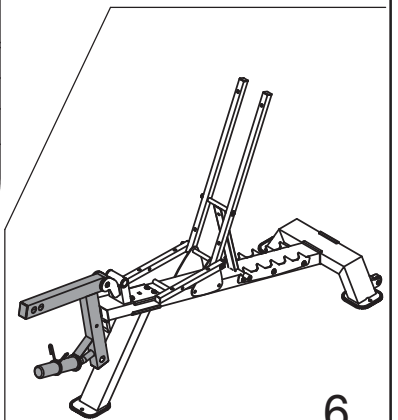
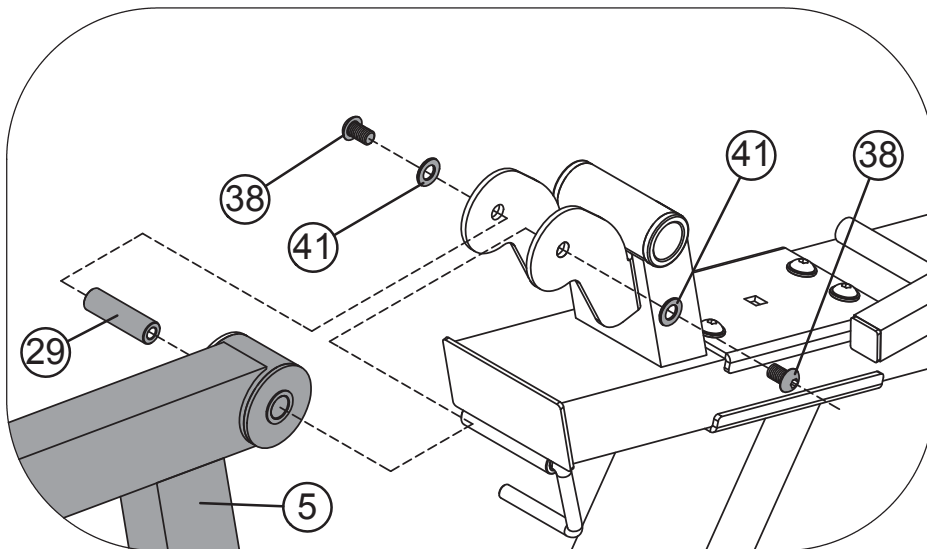
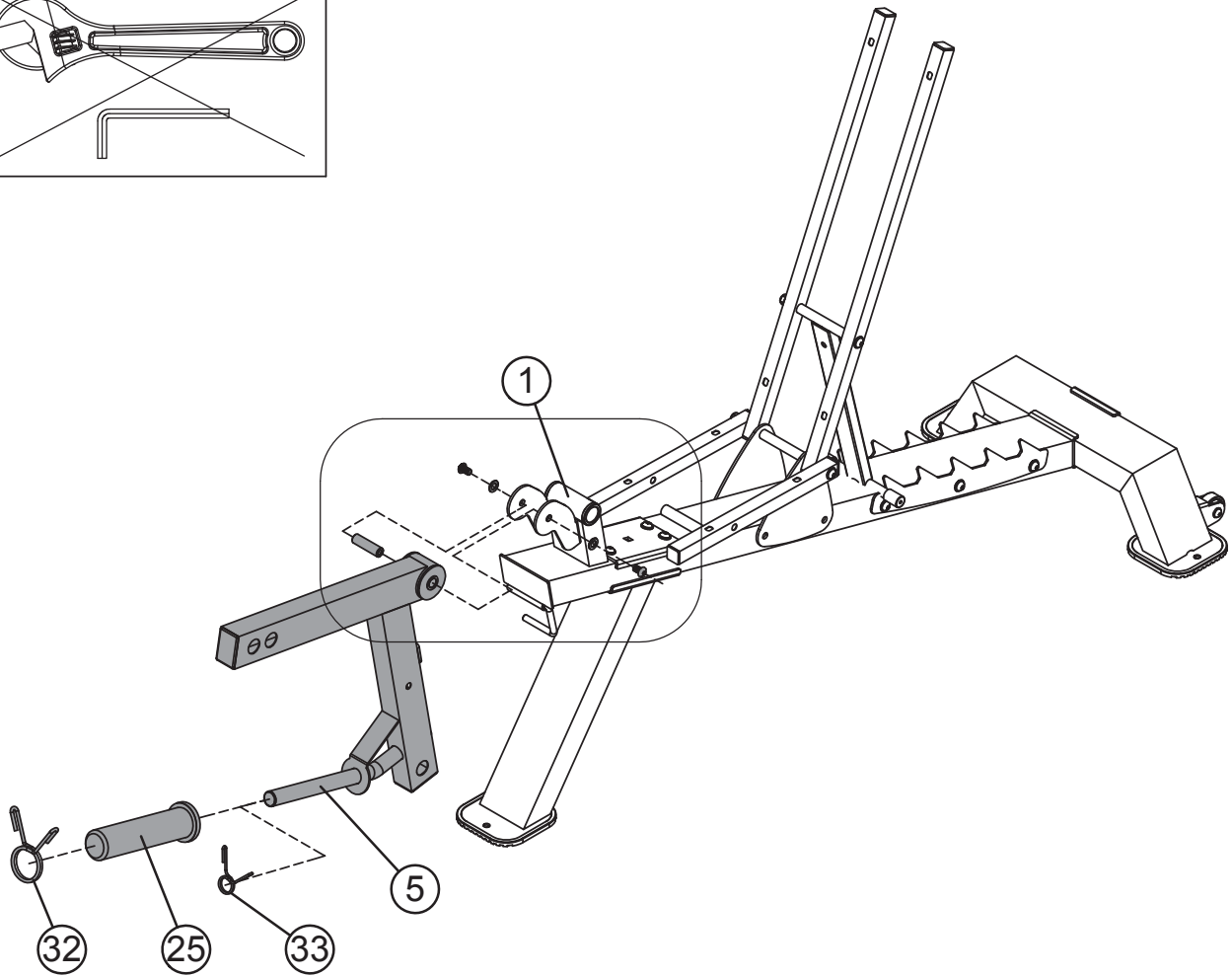
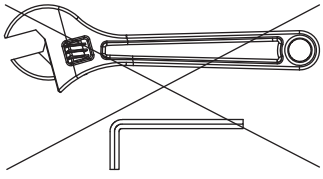
M10



②9 × 1  $\Phi 5/8" \times M10 \times 2 3/16"$

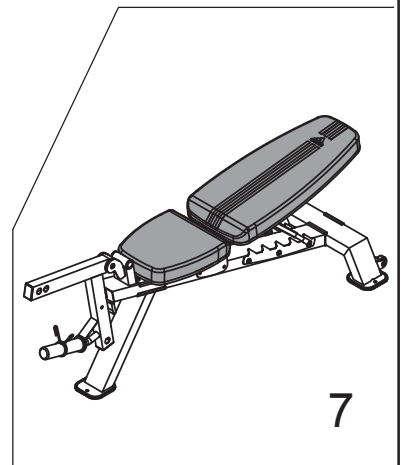
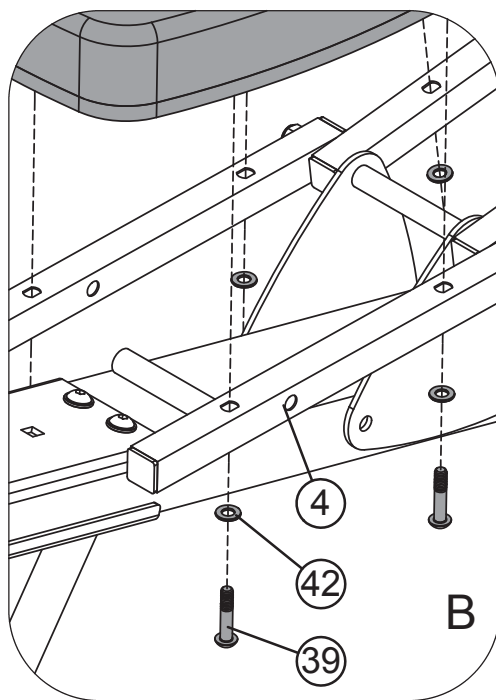
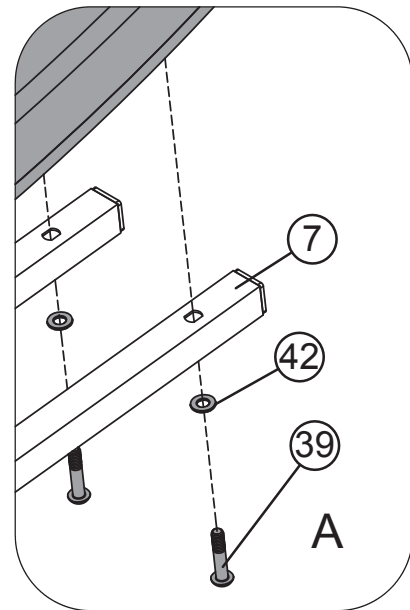
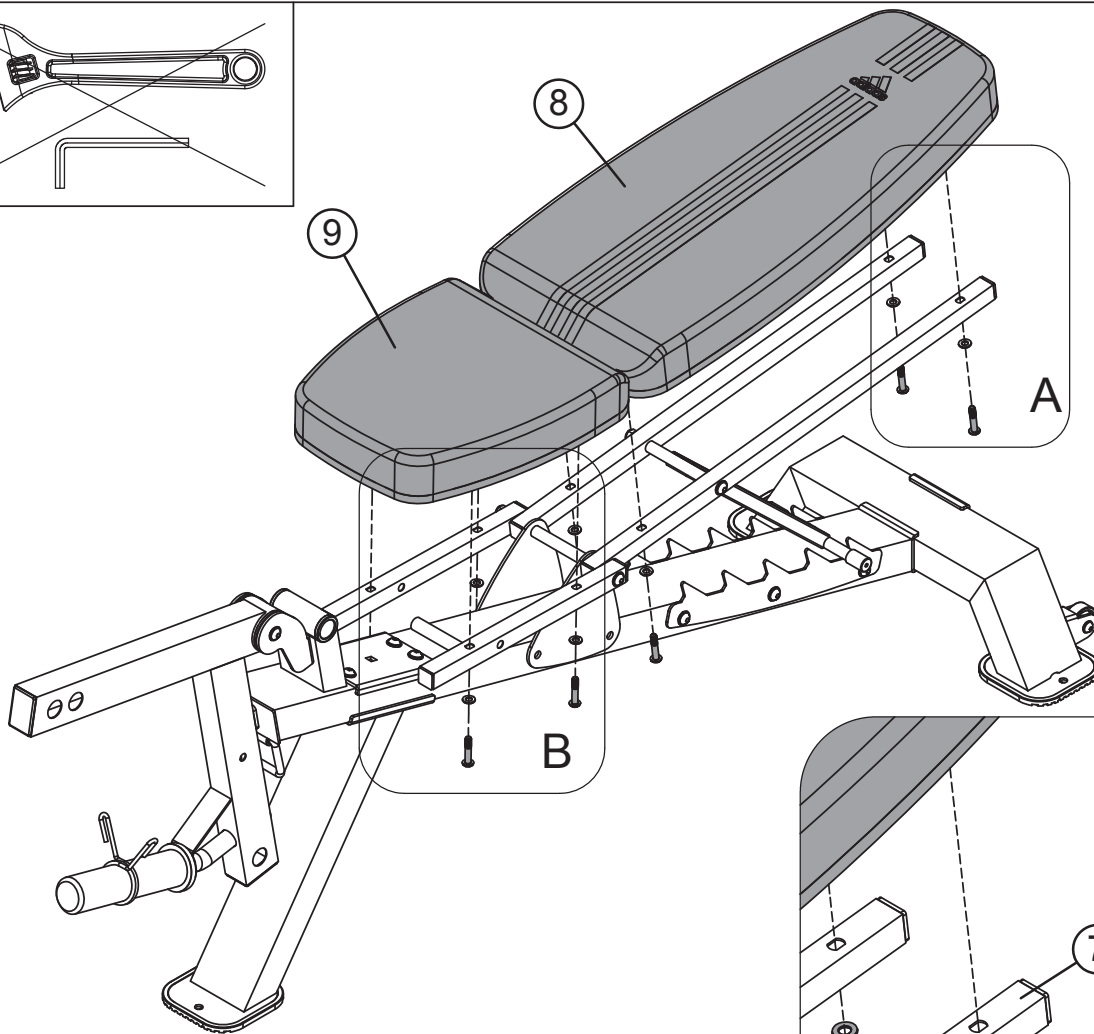
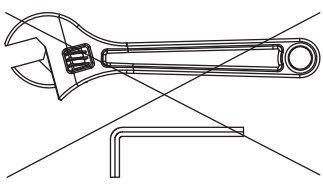
③8 × 2  $M10 \times 3/5"$

④1 × 2  | $\Phi 3/4"$

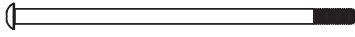


39 × 8  M8×1 5/8"

42 × 8  | Φ5/8"



34 x1



M10x8 7/8"

41 x2



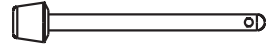
Φ3/4"

44 x1

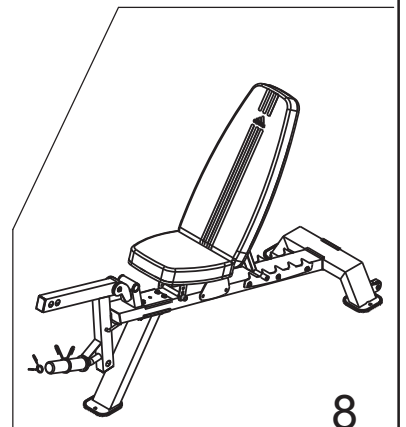
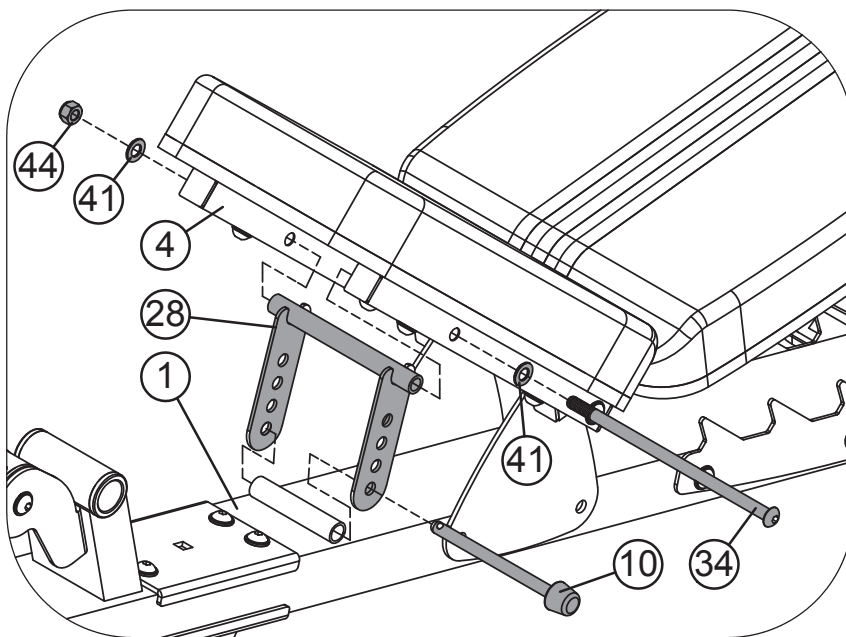
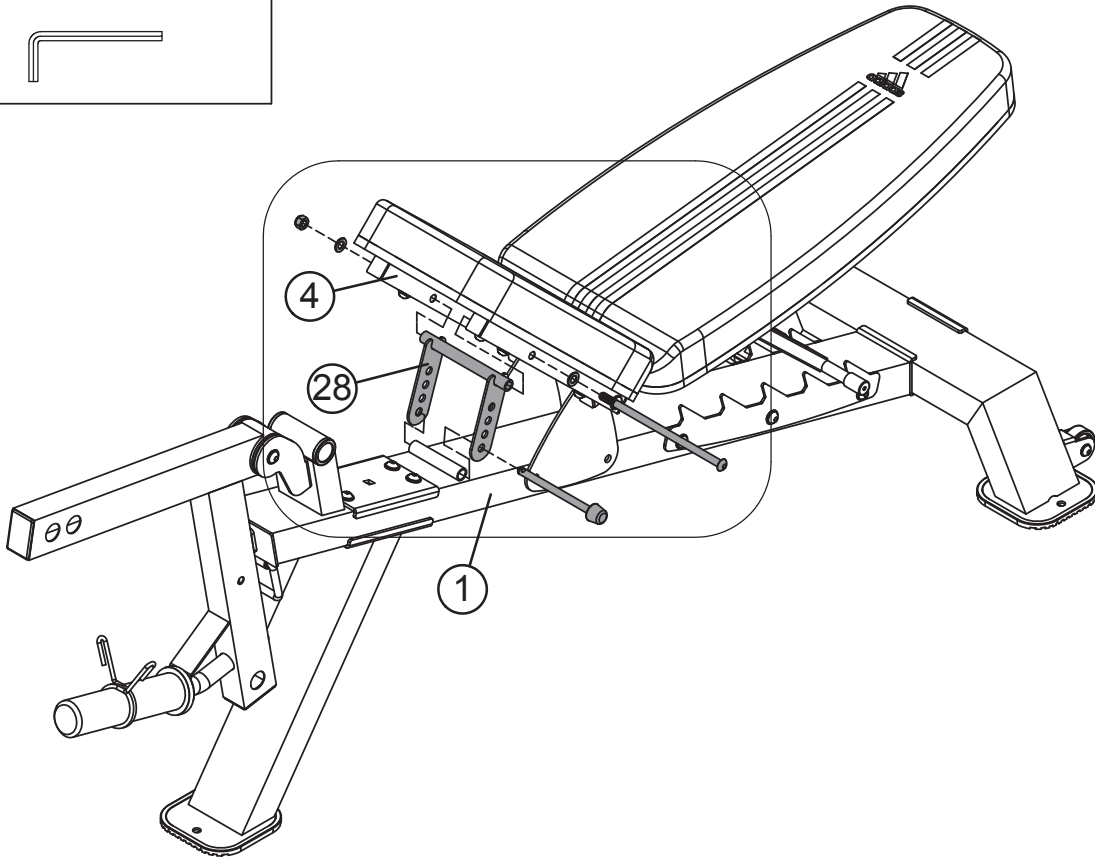
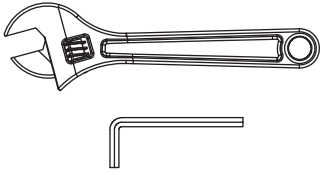


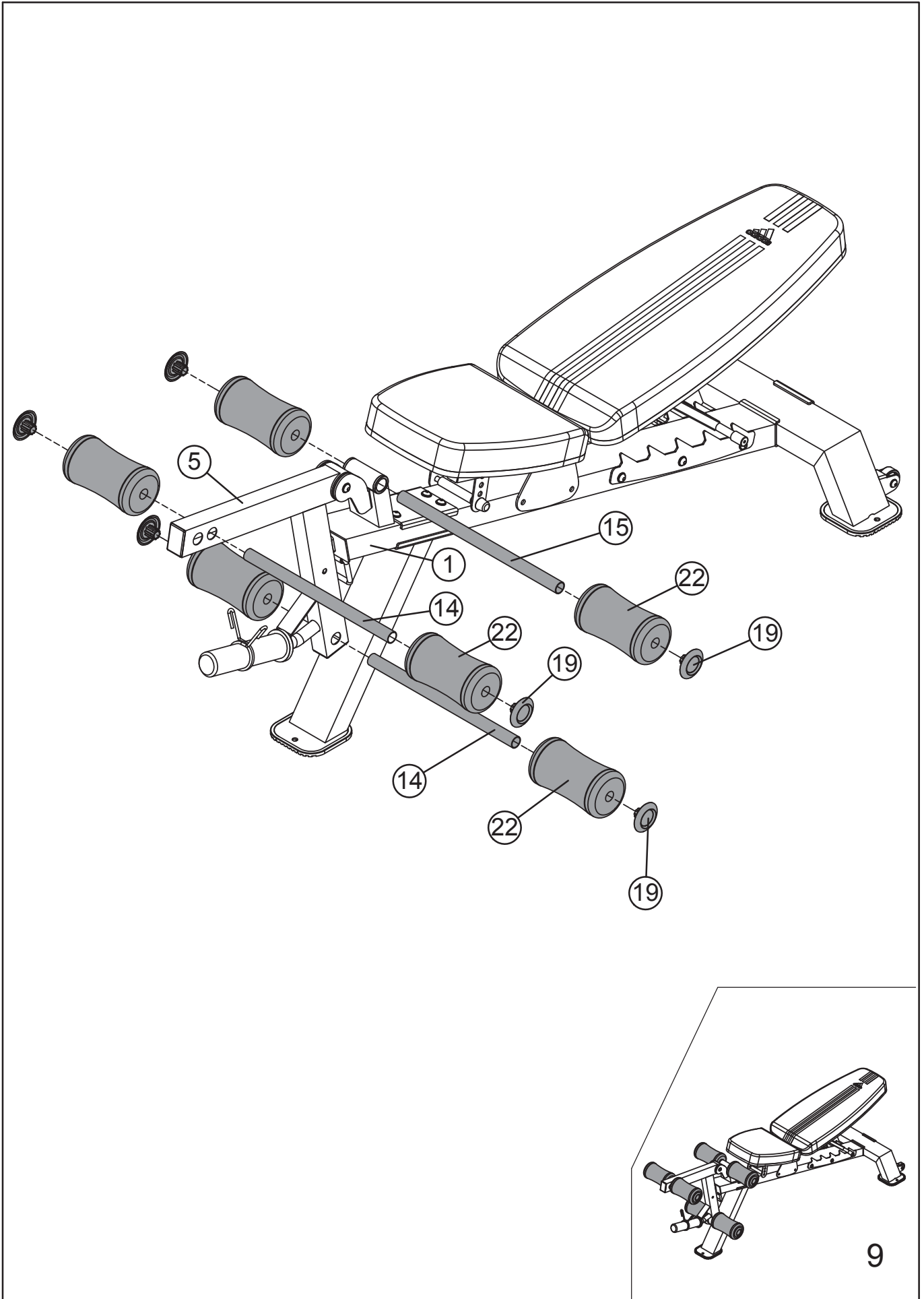
M10

10 x1



Φ10x5 5/16"





④⑥ × 10 ○ □ M10

④⑦ × 2 ○ ◐ M8

