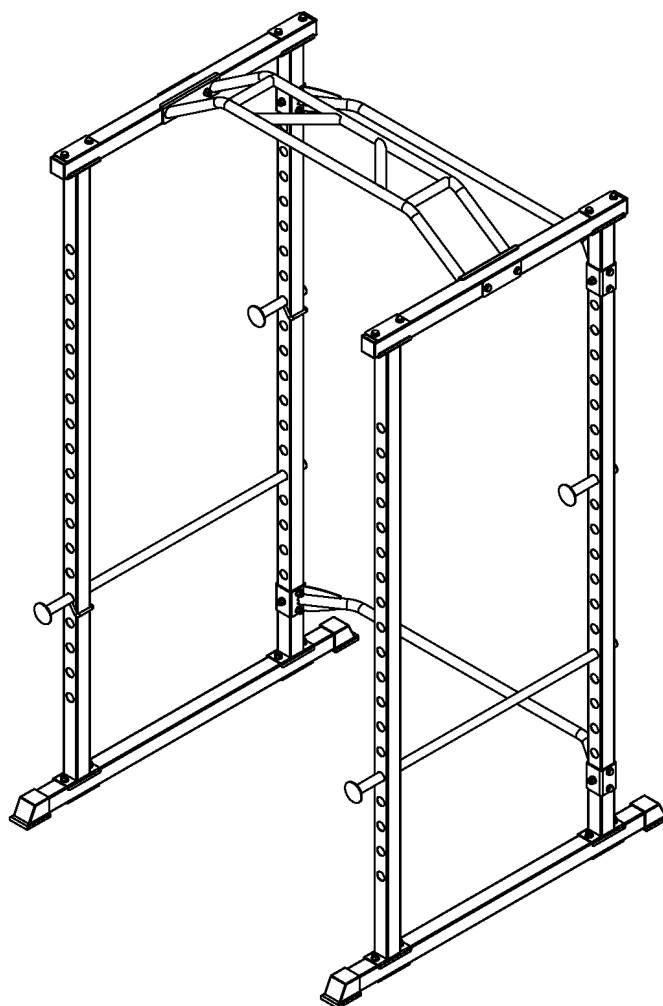


CIRCUIT FITNESS POWER CAGE

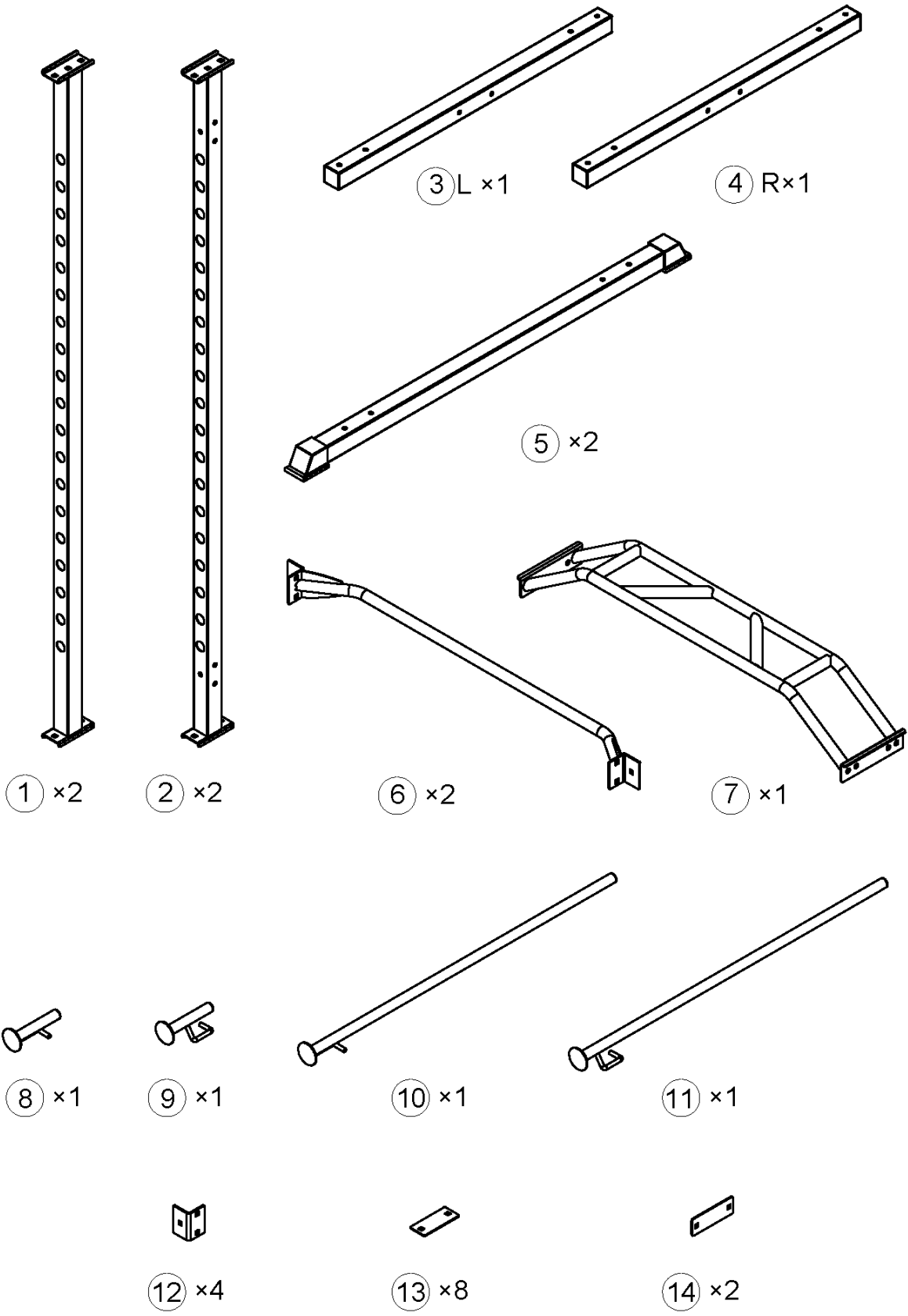
AMZ-600CG

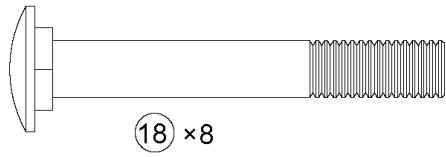


IMPORTANT: Please read the Important Safety Notice and Assembly Information in the Owner's manual before assembling this product.

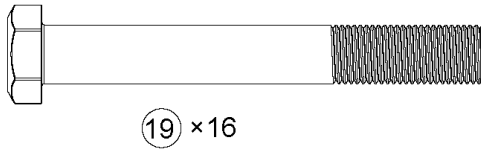
Assembly Manual

190717

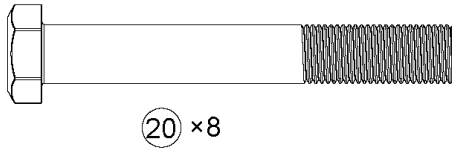




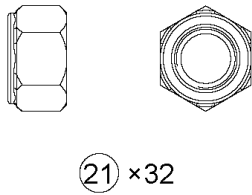
⑱ × 8



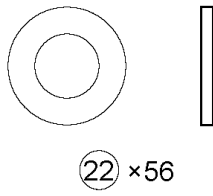
⑲ × 16



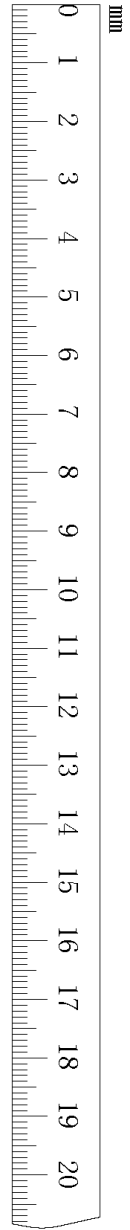
⑳ × 8



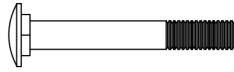
㉑ × 32



㉒ × 56



18



x 4

M10 x 2³/₄"

21



x 4

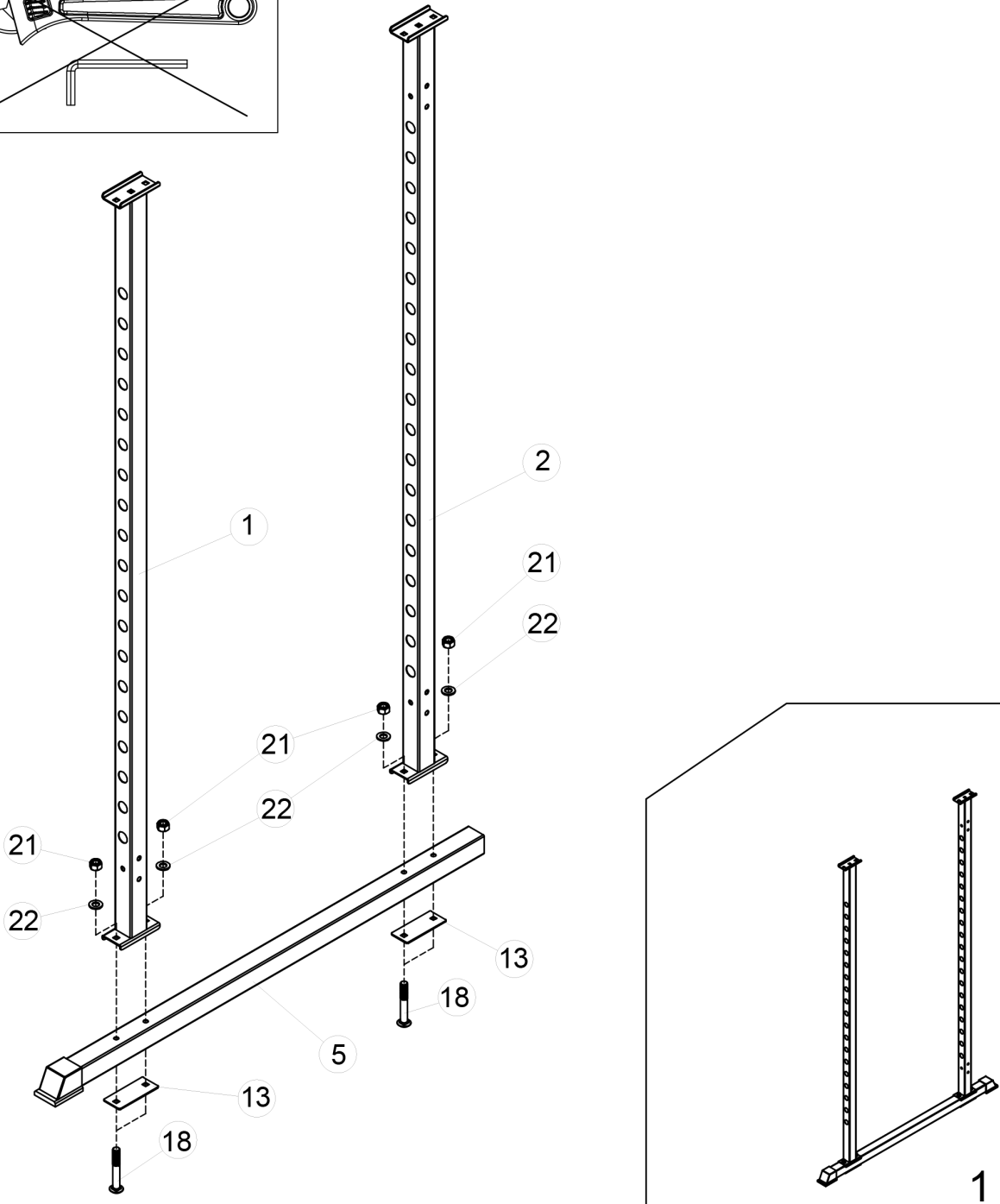
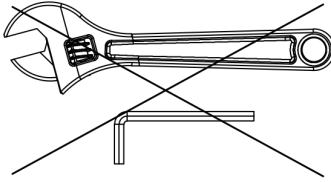
M10

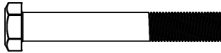


22

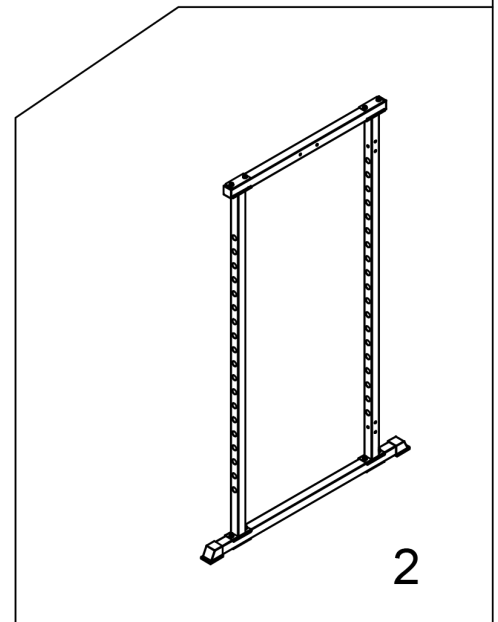
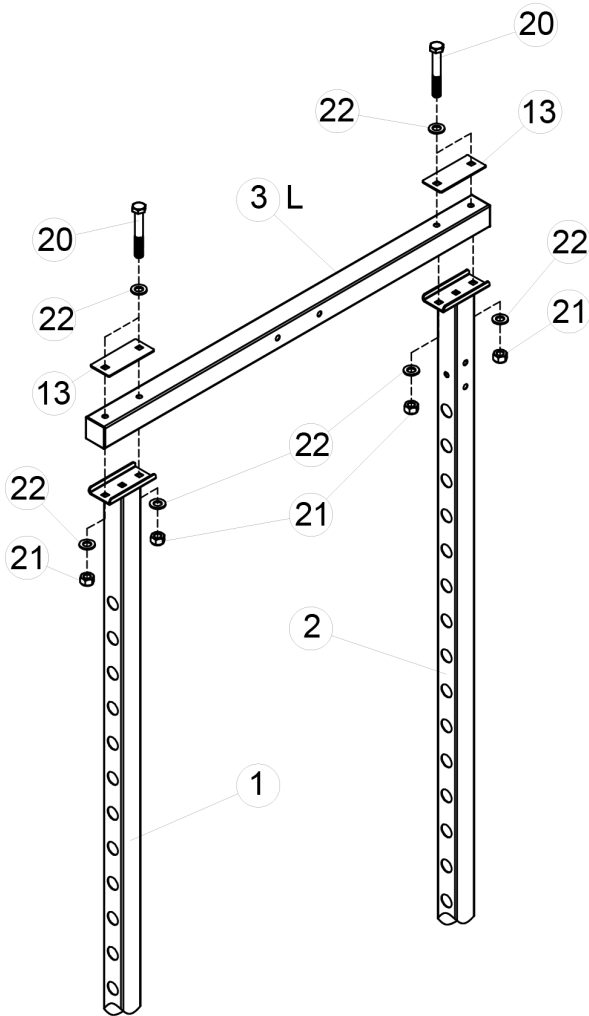
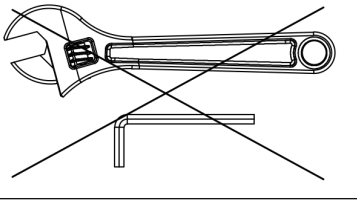


x 4

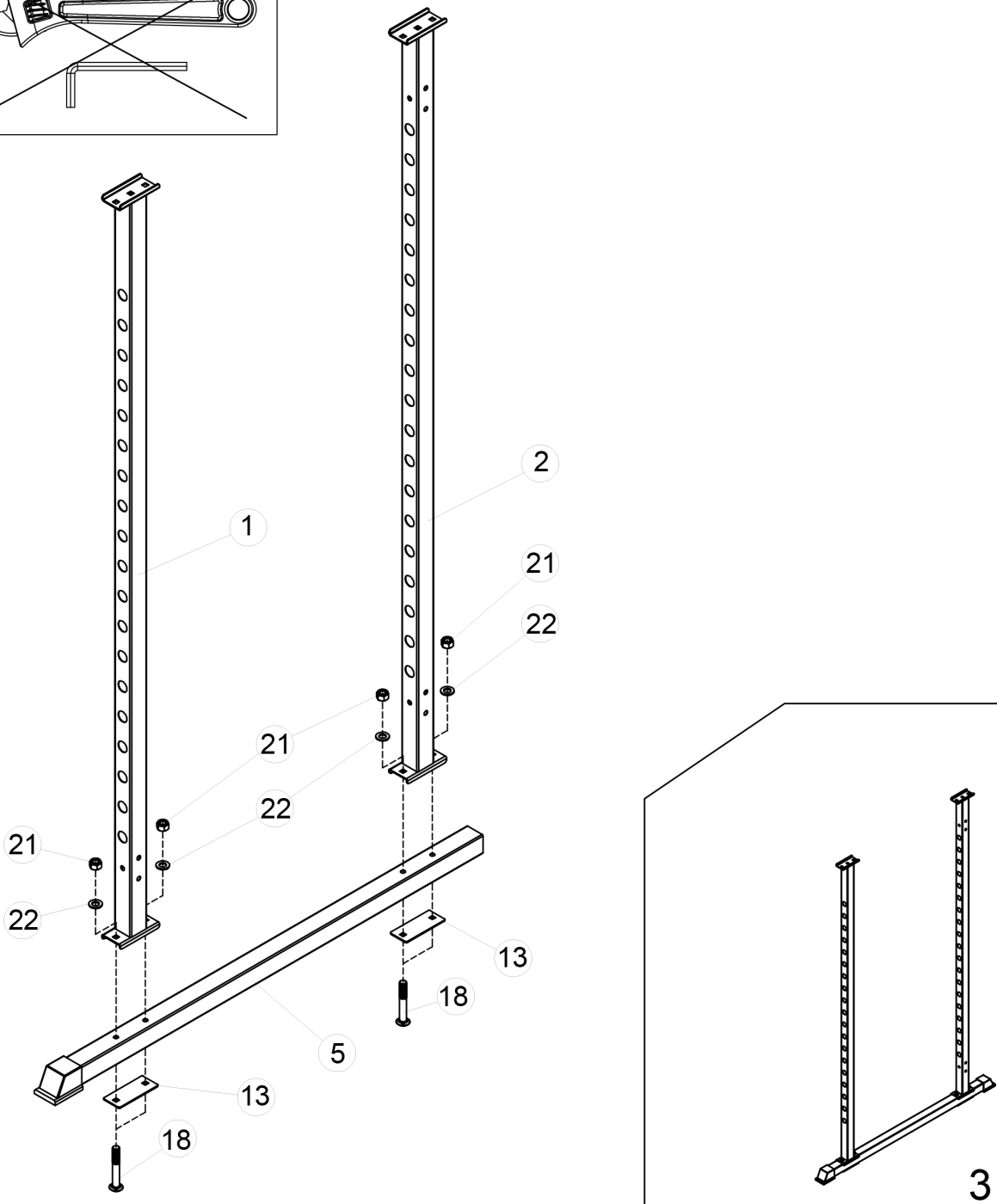
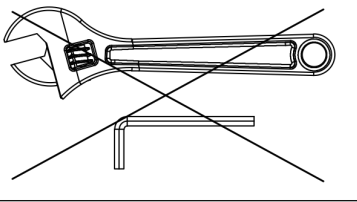
Φ³/₄"

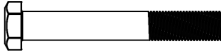






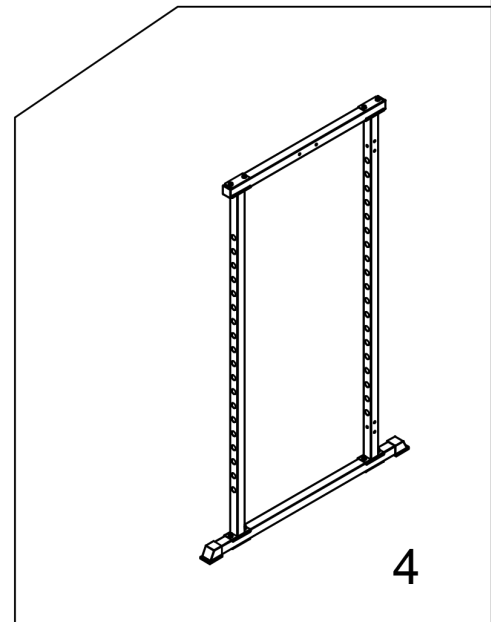
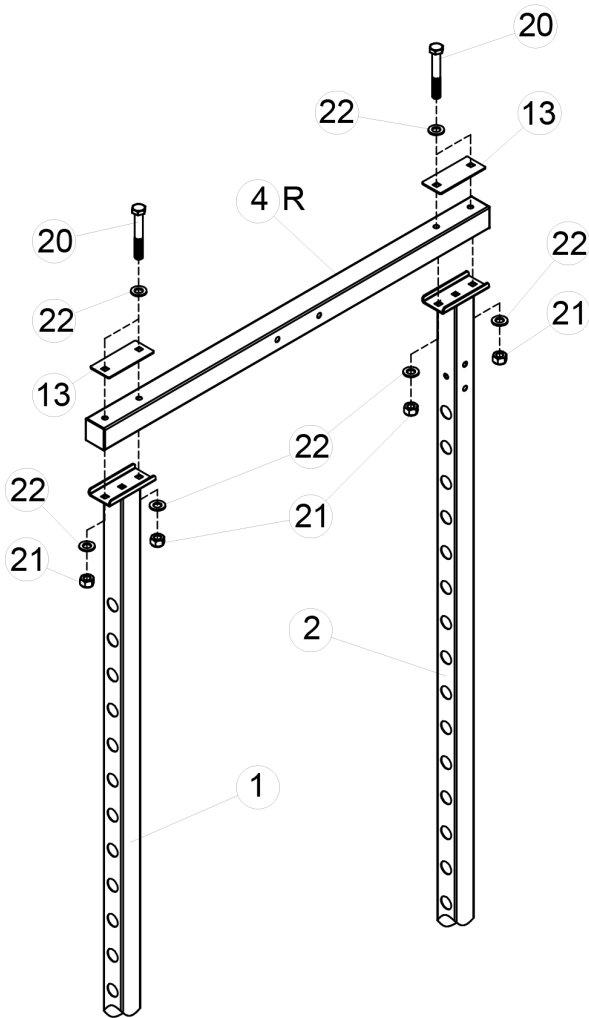
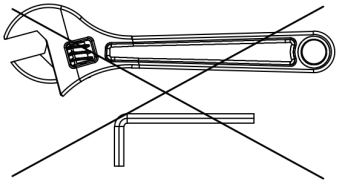
20		x 4	M10 x 2 ³ / ₄ "
21		x 4	M10
22		x 8	Φ ³ / ₄ "

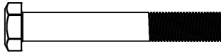




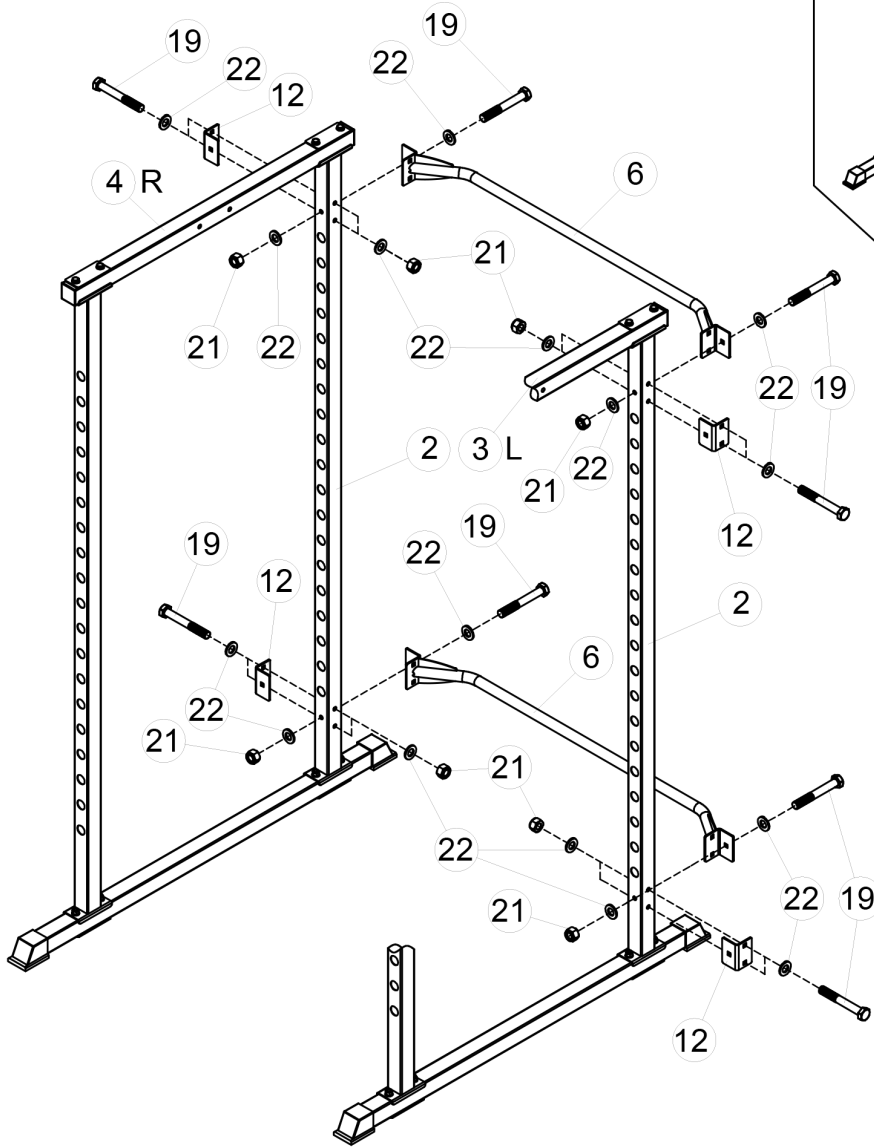
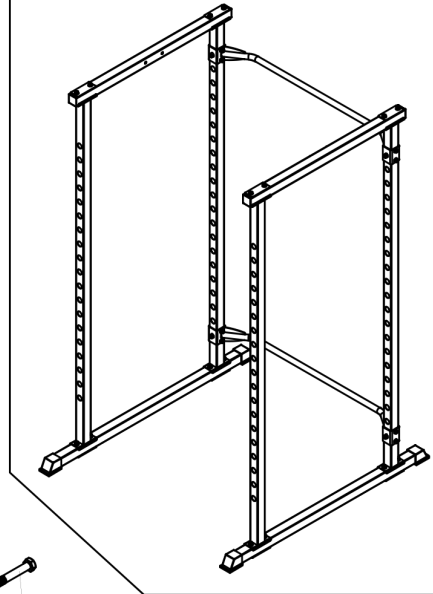
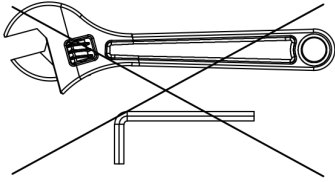
18		× 4	M10 x 2 ³ / ₄ "
21	 	× 4	M10
22	 	× 4	Φ ³ / ₄ "



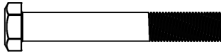




20			x 4	M10 x 2 ³ / ₄ "
21	 		x 4	M10
22	 		x 8	Φ ³ / ₄ "

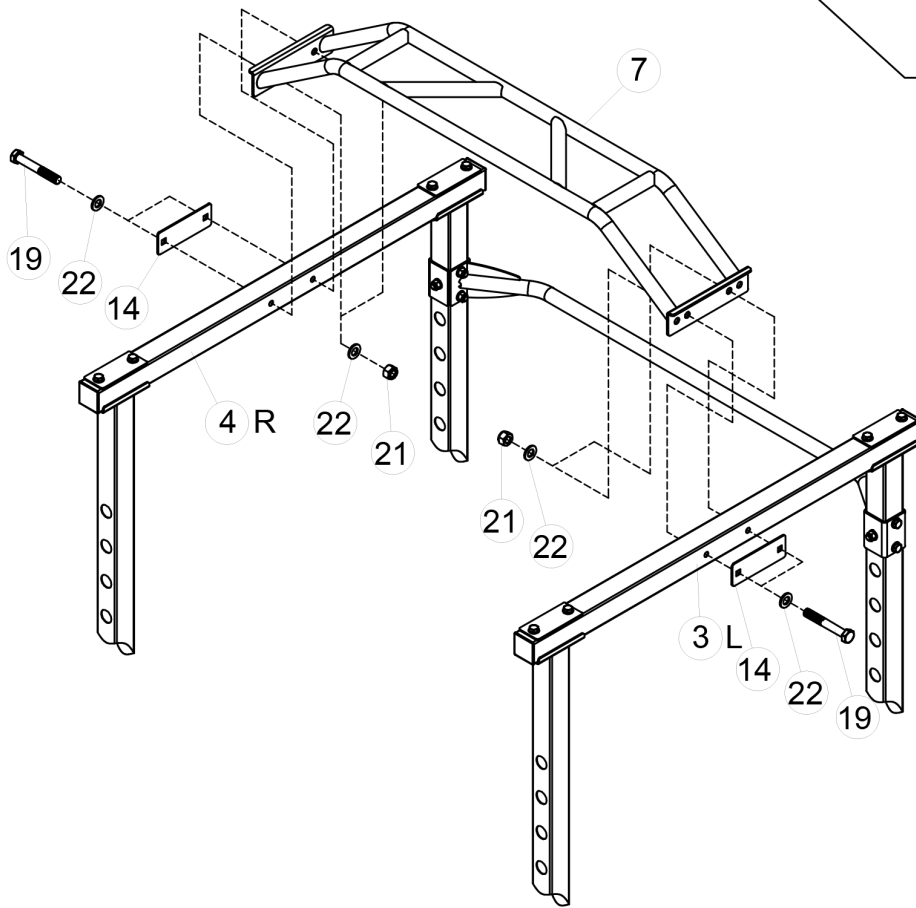
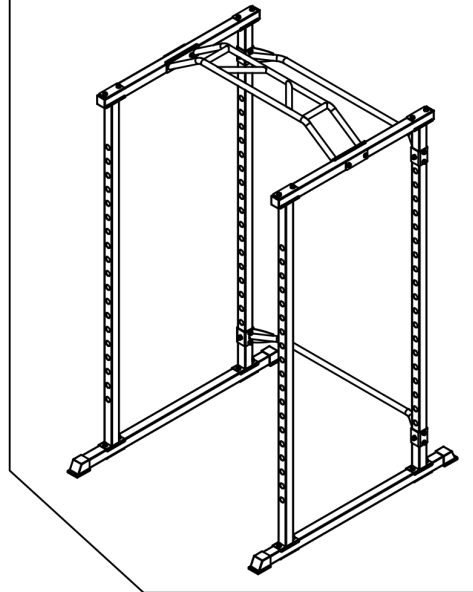
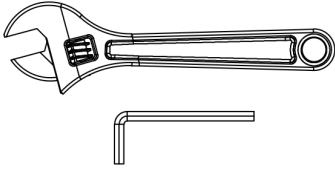


19		x 12	M10 x 3"
21		x 12	M10
22		x 24	$\Phi 3/4$ "

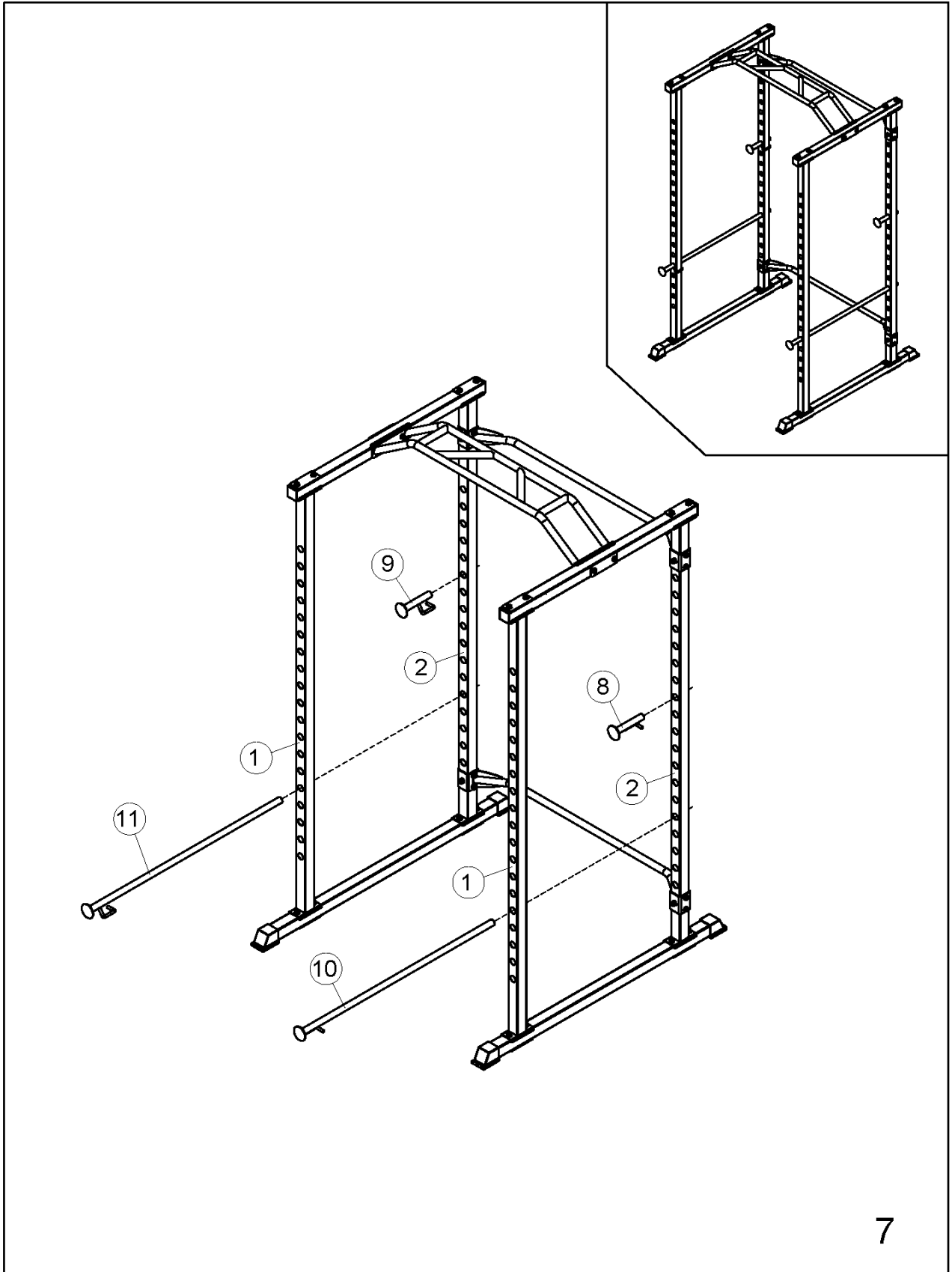


5

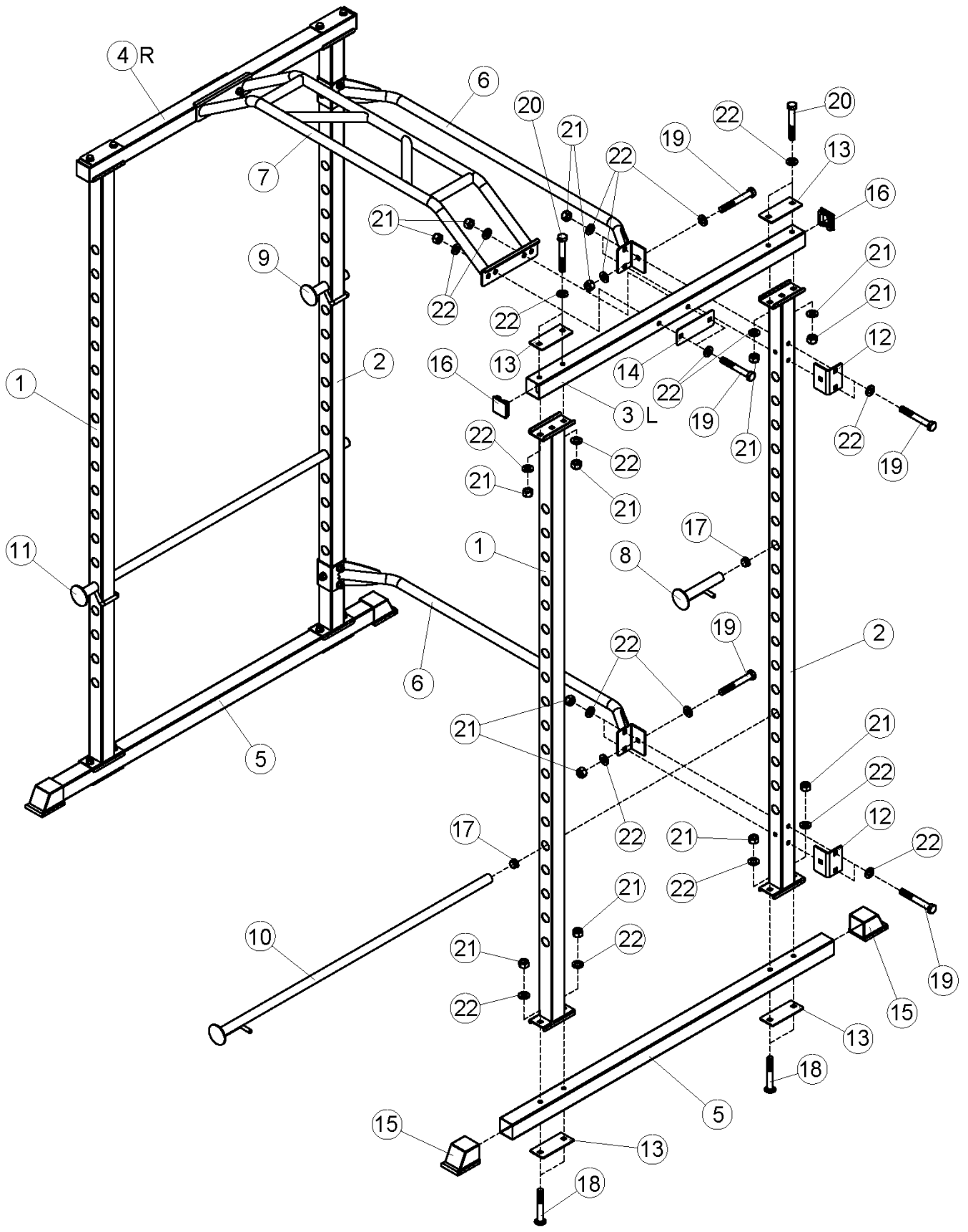
19			× 4	M10 x 3"
21	 		× 4	M10
22			× 8	Φ 3/4"



6



7



IMPEX® INC.

2801 S. Towne Ave, Pomona, CA 91766

Tel: (800) 999-8899 Fax: (626) 961-9966

www.marcypro.com

support@impex-fitness.com