

NOTE:
Please read all instructions
carefully before using this
product

Table of Contents

Safety Notice

Hardware Pack

Assembly Instruction

Parts List

Warranty

Ordering Parts

Model
BF-6730A

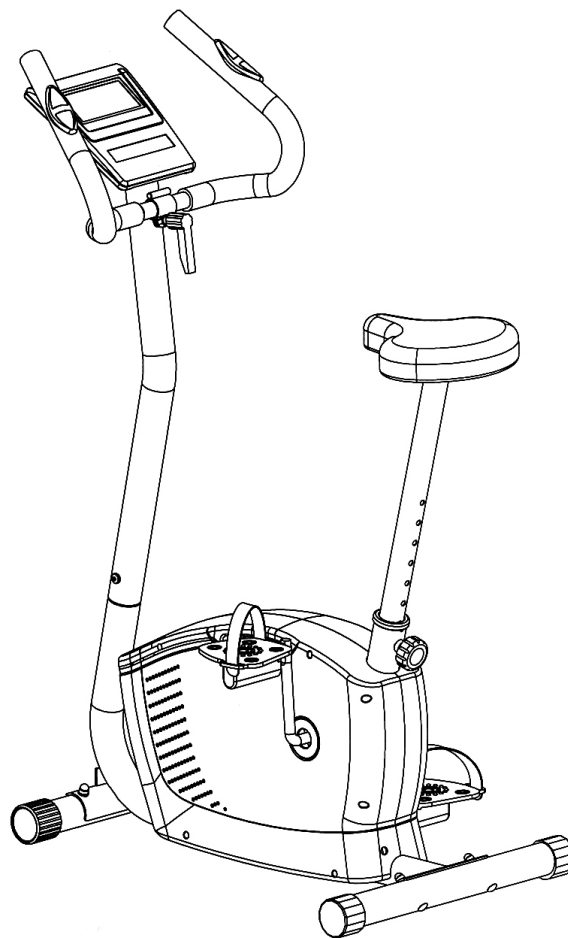
Retain This
Manual for
Reference

07-06-09

OWNER'S
MANUAL

BODYFIT
BY SPORTS AUTHORITY®

Deluxe Upright Bike BF-6730A



IMPEX® INC.

14777 DON JULIAN RD., CITY OF INDUSTRY, CA 91746

Tel: (800) 999-8899 Fax: (626) 961-9966

www.impex-fitness.com

info@impex-fitness.com

TABLE OF CONTENTS

BEFORE YOU BEGIN.....	1
IMPORTANT SAFETY NOTICES.....	2
HARDWARE PACK.....	4
ASSEMBLY INSTRUCTIONS.....	5
EXPLODED DIAGRAM.....	11
PARTS LIST.....	12
WARRANTY.....	13
ORDERING PARTS.....	13

BEFORE YOU BEGIN

Thank you for selecting the BODY FIT Deluxe Upright Bike BF-6730A by IMPEX[®] INC. For your safety and benefit, read this manual carefully before using the machine. As a manufacturer, we are committed to provide you complete customer satisfaction. If you have any questions, or find there are missing or damaged parts, we guarantee you complete satisfaction through direct assistance from our factory. To avoid unnecessary delays, *please call our TOLL-FREE customer service number*. Our Customer Service Agents will provide immediate assistance to you.

Toll-Free Customer Service Number

1-800-999-8899

Mon. - Fri. 9 a.m. - 5 p.m. PST

www.impex-fitness.com

info@impex-fitness.com

IMPORTANT SAFETY NOTICE

PRECAUTIONS

This exercise machine is built for optimum safety. However, certain precautions apply whenever you operate a piece of exercise equipment. Be sure to read the entire manual before you assemble or operate your machine. In particular, note the following safety precautions:

1. **Keep children and pets away from the machine at all times. DO NOT leave children unattended in the same room with the machine.**
2. Only one person at a time should use the machine.
3. If the user experiences dizziness, nausea, chest pain, or any other abnormal symptoms, STOP the workout at once. CONSULT A PHYSICIAN IMMEDIATELY.
4. Position the machine on a clear, leveled surface. DO NOT use the machine near water or outdoors.
5. Keep hands away from all moving parts.
6. Always wear appropriate workout clothing when exercising. DO NOT wear robes or other clothing that could become caught in the machine. Running or aerobic shoes are also required when using the machine.
7. Use the machine only for its intended use as described in this manual. DO NOT use attachments not recommended by the manufacturer.
8. Do not place any sharp object around the machine.
9. Disabled person should not use the machine without a qualified person or physician in attendance.
10. Before using the machine to exercise, always do stretching exercises to properly warm up.
11. Never operate the machine if the machine is not functioning properly.
12. The Maximum Weight Capacity is 300 lbs.
13. Read all warnings posted on the exercise bike.
14. Inspect the exercise bike for worn or loose component prior to use.
Tighten/replace any loose or wore components prior to use.
15. Care should be taken in mounting or dismounting the exercise bike.
16. This exercise bike is for consumer and home use only.

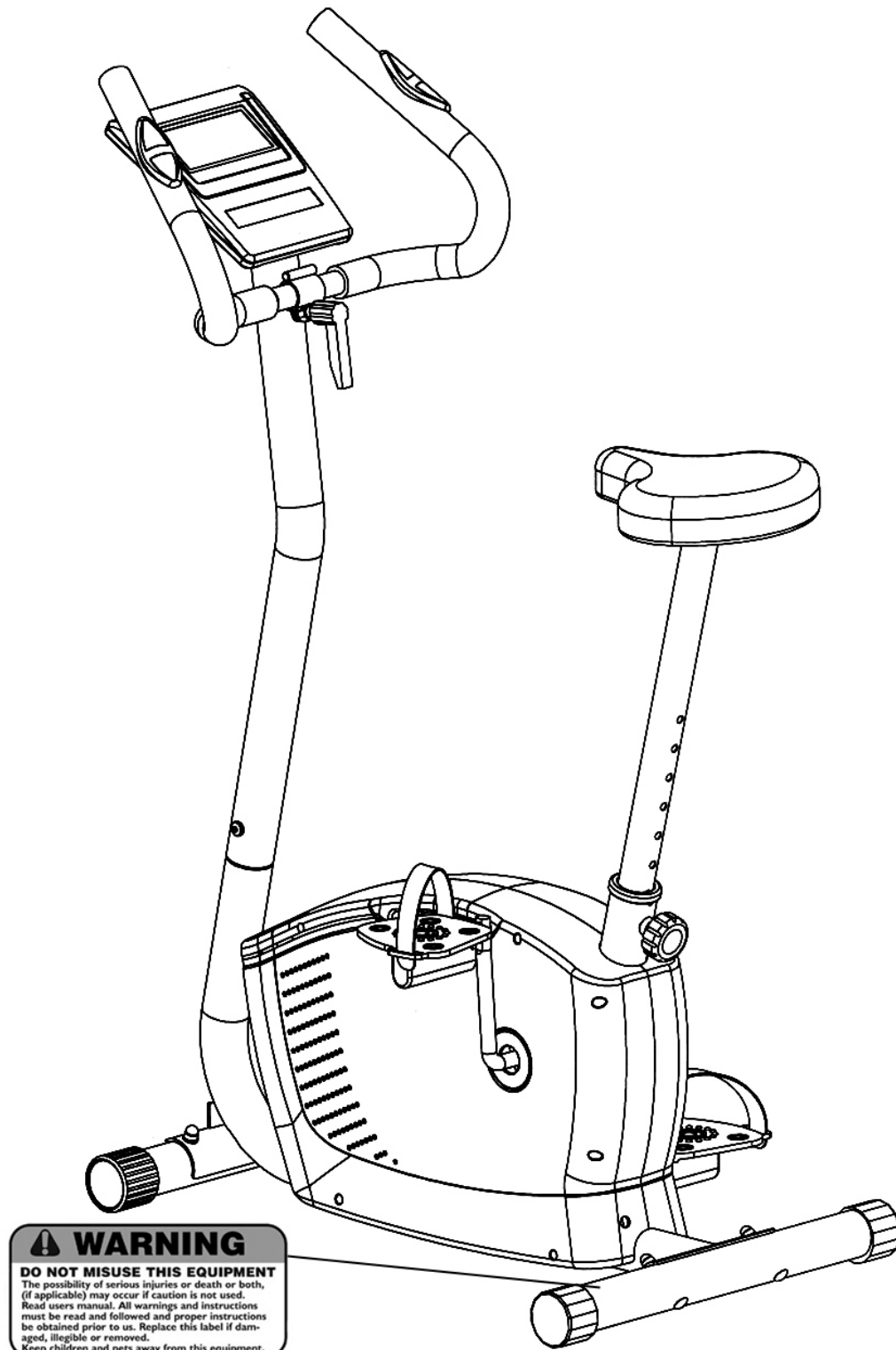
Maintenance and Storage

1. Inspect and tighten all parts each time you use the machine. Replace any worn parts immediately.
2. The bike can be cleaned using a damp cloth and mild non-abrasive detergent. Do not use solvents.
3. Store the machine IN-DOOR. Excess moisture and water would cause rust on the frame.
4. The machine shall be placed at least 24 inches away from the wall or/and any other object such as furniture to provide safe access to and passage around the machine.
5. To avoid possible injury, the help of two or more people are needed when moving the machine around.

WARNING: BEFORE BEGINNING ANY EXERCISE PROGRAM, CONSULT YOUR PHYSICIAN. THIS IS ESPECIALLY IMPORTANT FOR INDIVIDUALS OVER THE AGE OF 35 OR PERSONS WITH PRE-EXISTING HEALTH PROBLEMS. READ ALL INSTRUCTIONS BEFORE USING ANY FITNESS EQUIPMENT. IMPEX INC. ASSUMES NO RESPONSIBILITY FOR PERSONAL INJURY OR PROPERTY DAMAGE SUSTAINED BY OR THROUGH THE USE OF THIS PRODUCT.

SAVE THESE INSTRUCTIONS.

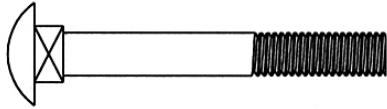
WARNING LABEL PLACEMENT



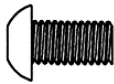
The Warning Label shown here has been placed on the Rear Stabilizer. If the label is missing or illegible, please call customer service at 1-800-999-8899 for replacement. Apply the label in location shown.

HARDWARE PACK

NOTE: The following parts are not drawn to scale. Please use your own ruler to measure the size.



#17 M8 x 2 $\frac{3}{8}$ " Carriage Bolt (Qty 4)



#16 M8 x $\frac{5}{8}$ " Allen Bolt (Qty 4)



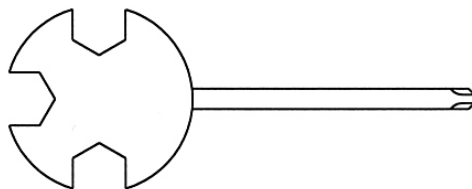
#15 \emptyset $\frac{5}{8}$ " Curved Washer (Qty 8)



#18 M8 Acorn Nut (Qty 4)



Allen Wrench (Tool) (Qty 1)



Crossing Wrench (Tool) (Qty 1)

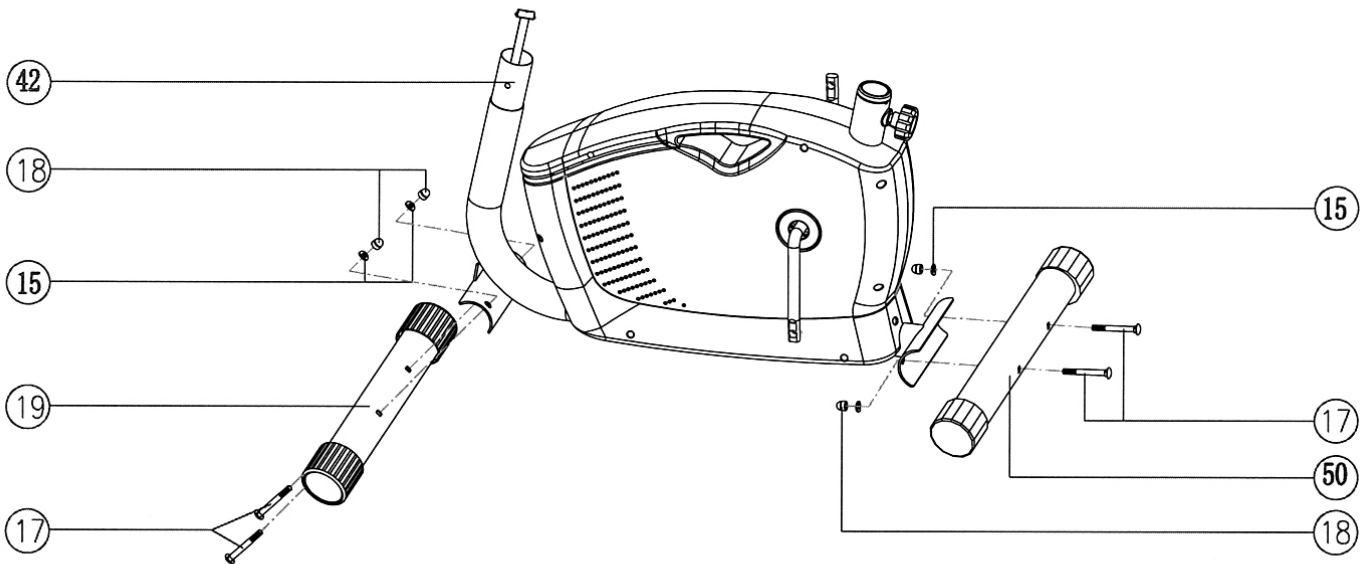
ASSEMBLY INSTRUCTION

NOTE: It is strongly recommended that two or more people assemble this machine to avoid possible injury.

STEP 1 (See Diagram1)

- A.) **Do not tighten Nuts and Bolts until instructed to do so.**
- B.) Attach the Front Stabilizer (#19) to the Main Frame (#42). Secure it with two M8 x 2 3/8" Carriage Bolts (#17), two Ø 5/8" Curved Washers (#15), and two M8 Acorn Nuts (#18).
- C.) Attach the Rear Stabilizer (#50) to the Main Frame. Secure it with two M8 x 2 3/8" Carriage Bolts (#17), two Ø 5/8" Curved Washers (#15), and two M8 Acorn Nuts (#18).
- D.) **Securely tighten all Nuts and Bolts.**

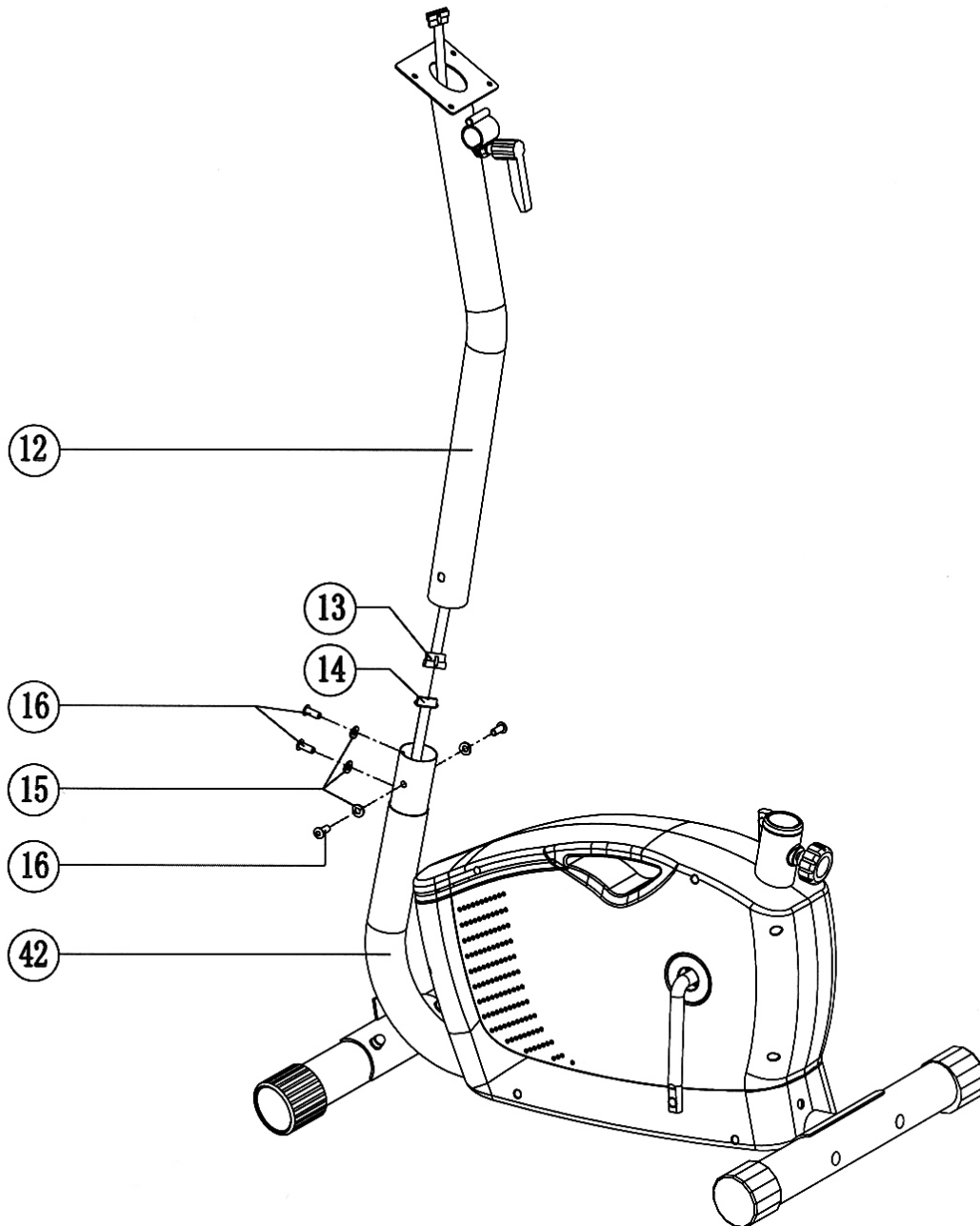
DIAGRAM 1



STEP 2 (See Diagram 2)

- A.) **Note: Extra help may be needed when installing the computer wires in Front Post (#12).**
- B.) Attach the Front Post (#12) to the Main Frame (#42). Connect the Upper Computer Wire (#13) from the bottom of Front Post to the Lower Computer Wire (#14) from the main Frame.
- C.) Attach the Front Post to Main Frame. Secure them together with four M8 x 5/8" Allen Bolts (#16) and four Ø 5/8" Curved Washers (#15).

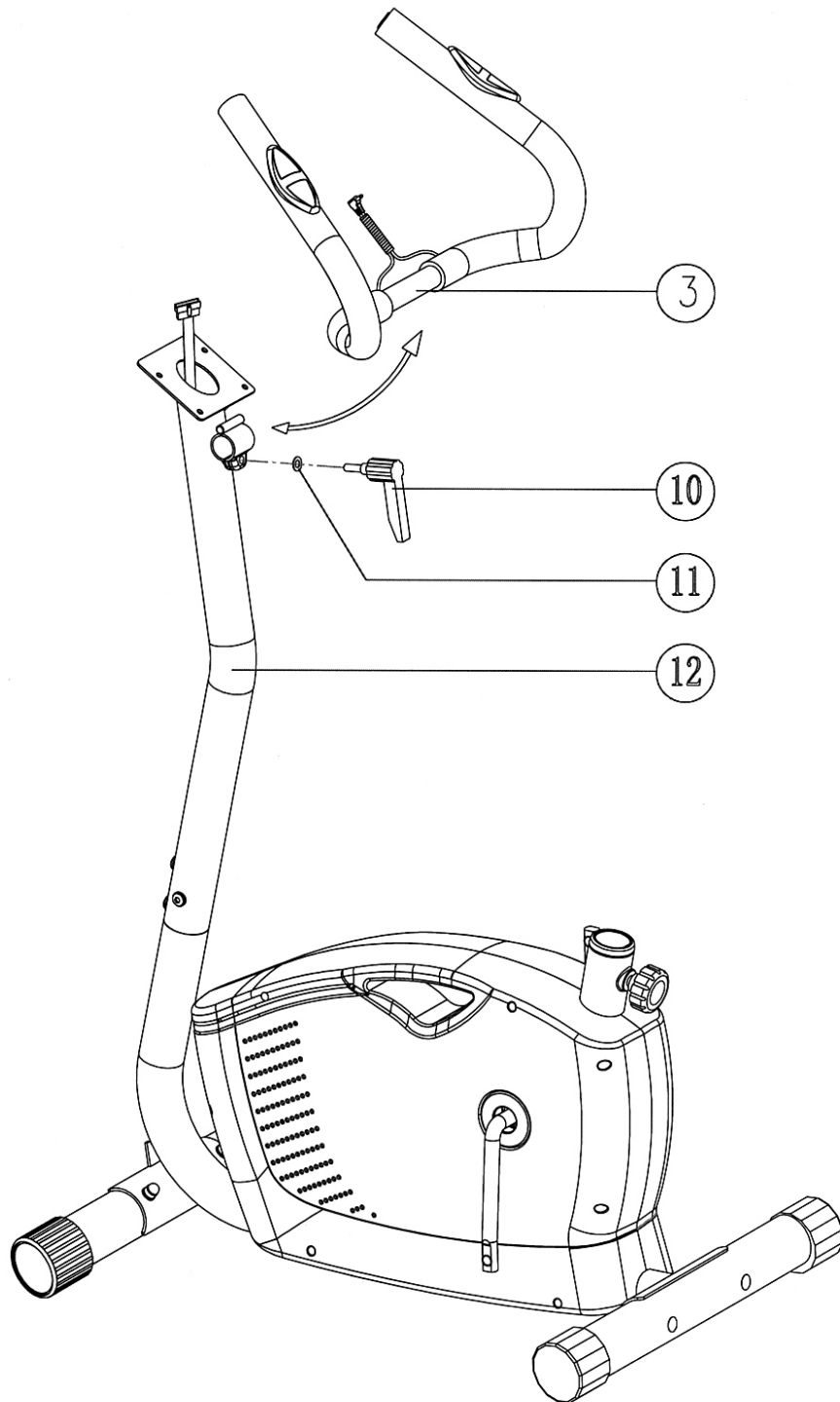
DIAGRAM 2



STEP 3 (See Diagram 3)

- A.) Remove the L-shaped Lock Bolt (#10) and $\text{\O} 5/8$ " Flat Washer (#11) from the handle holder bracket on Front Post (#12). Flip up the handle holder bracket.
- B.) Attach the Handle (#3) to Front Post, turn the Handle to desired hand holding position, and then flip down the handle holder bracket.
- C.) Securely thread the L-shaped Lock Bolt with $\text{\O} 5/8$ " Flat Washer (#11) back into the bracket to lock the Handle in position.

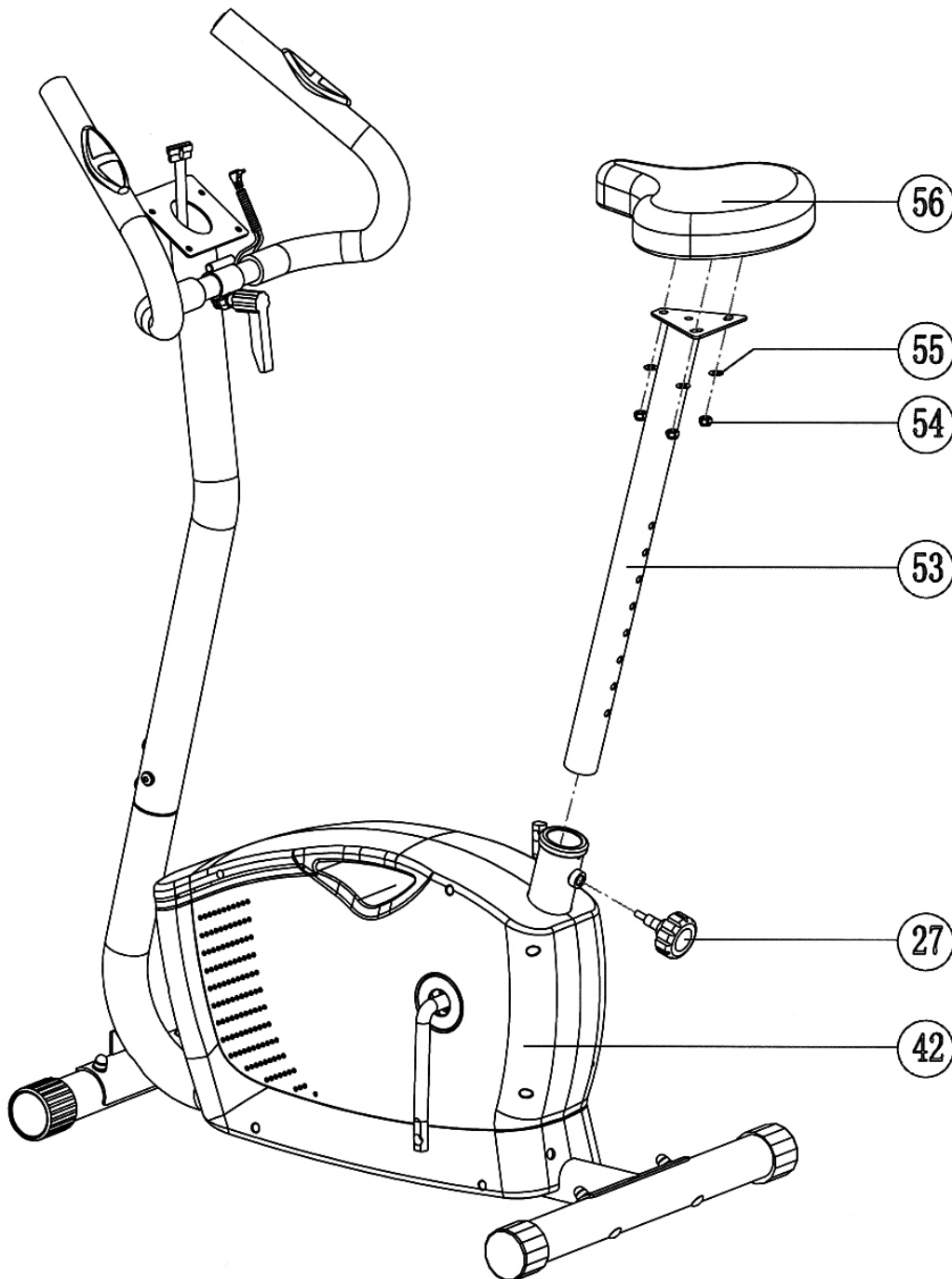
DIAGRAM 3



STEP 4 (See Diagram 4)

- A.) Remove three Ø 5/8" Flat Zinc Washers (#55) and three M8 Aircraft Nuts (#54) from the Seat (#56).
- B.) Attach the Seat to the Seat Post (#53). Secure it with the three Ø 5/8" Flat Zinc Washers (#55), and three M8 Aircraft Nuts (#54).
- C.) Insert the Seat Post into the opening on Main Frame (#42). Thread the M12 Lock Knob (#27) through the hole on Seat Post to securely lock it at desired height.

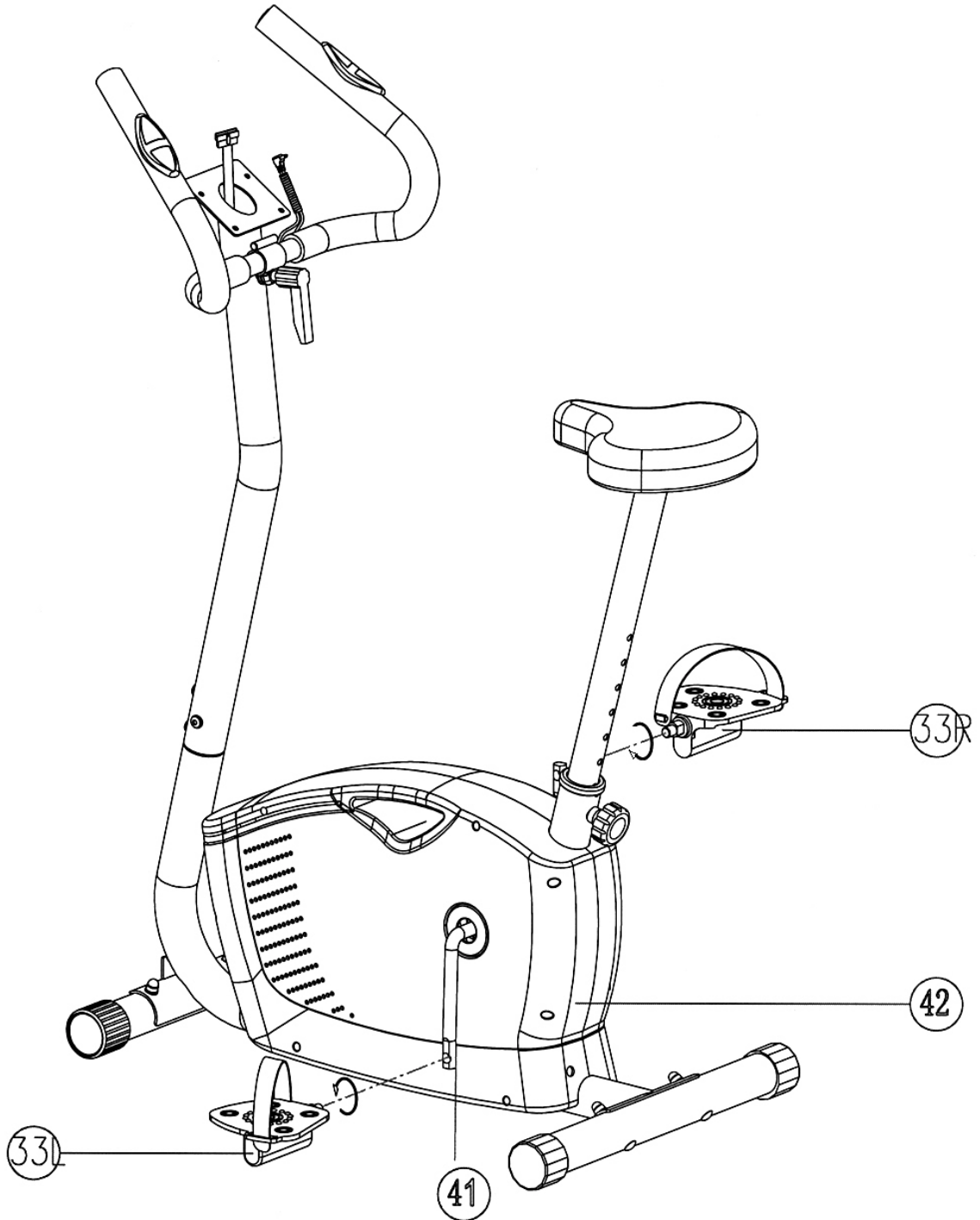
DIAGRAM 4



STEP 5 (See Diagram 5)

- A.) Thread the Left Pedal (#33L) counterclockwise onto the Crank (#41).
- B.) Thread the Right Pedal (#33R) clockwise onto the Crank on the other side.

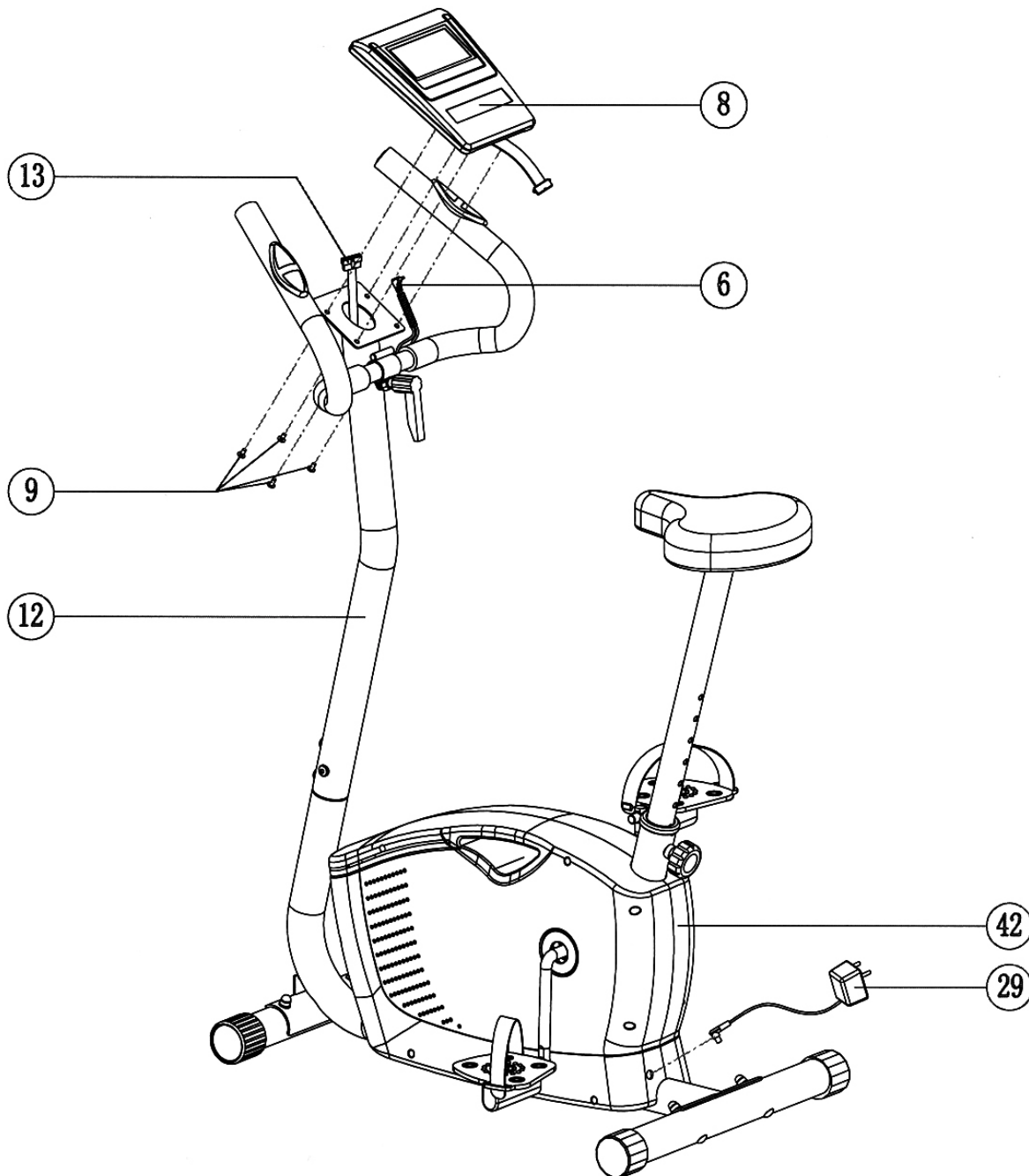
DIAGRAM 5

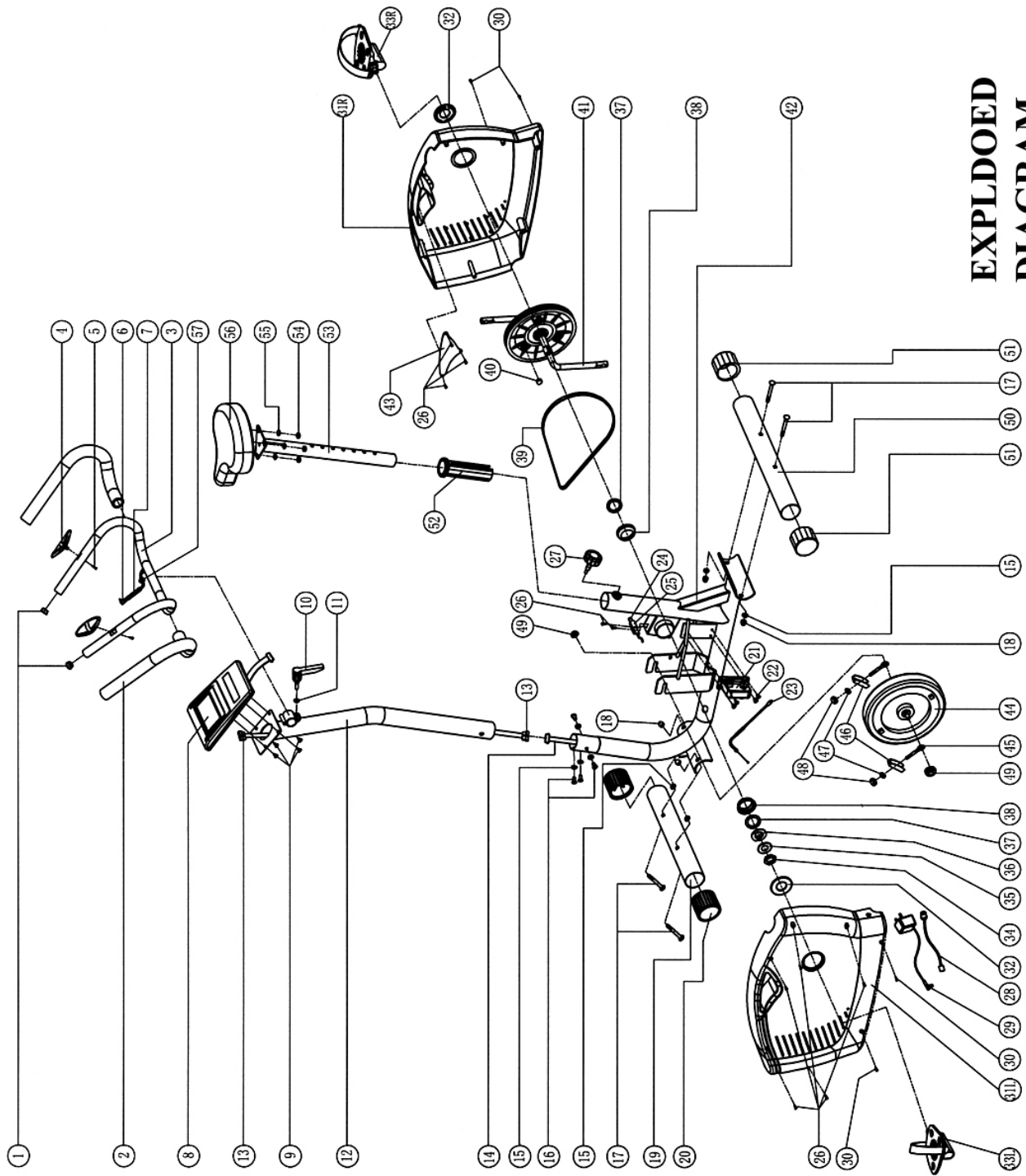


STEP 6 (see Diagram 6)

- A.) Connect the Pulse Sensor Wire (#6) to the Computer (#8).
- B.) Connect the Upper Computer Wire (#13) to the Computer.
- C.) Remove the four M5 x 3/8" Philips Screws (#9) from the Computer. Attach the Computer to the computer base on the Front Post (#12), secure the Computer to the Front Post with the four M5 x 3/8" Philips Screws.
- D.) Plug the AC Adapter (#29) to 110v outlet, and plug the power cord into the Main Frame (#42). **Note: Only use the original AC Adapter from manufacturer. Do not use any Adapter which is not from manufacturer.**

DIAGRAM 6





**EXPLODED
DIAGRAM**

PARTS LIST

KEY NO.	DESCRIPTION	QUANTITY
1	Ø 7/8" Handle End Cap	2
2	Handle Grip	2
3	Handle	1
4	Pulse Sensor	2
5	ST4.2 x 3/4" Philips Screw	2
6	Pulse Sensor Wire	1
7	Wire Sleeve	1
8	Computer	1
9	M5 x 3/8" Philips Screw	4
10	L-shaped Lock Bolt	1
11	Ø 5/8" Flat Washer	1
12	Computer Post	1
13	Upper Computer Wire	1
14	Lower Computer Wire	1
15	Ø 5/8" Curved Washer	8
16	M8 x 5/8" Allen Bolt	4
17	M8 x 2 3/8" Carriage Bolt	4
18	M8 Acorn Nut	4
19	Front Stabilizer	1
20	Front Stabilizer Roller Cap	2
21	Motor	1
22	M5 x 5/8" Philips Screw	4
23	Tension Cable	1
24	Magnetic Sensor Wire	1
25	Magnetic Sensor	1
26	ST4.2 x 3/4" Philips Self-tapping Screw	10
27	M12 Lock Knob	1
28	Power Cord	1
29	AC Adapter	1
30	ST4.2 x 1" Philips Self-tapping Screw	4
31L	Left Shroud	1
31R	Right Shroud	1
32	Crank Cover	2
33L	Left Pedal	1
33R	Right Pedal	1
34	Hex Nut	1
35	Ø 7/8" Washer	1
36	Ø 7/8" Bushing	1
37	Ball Bearing	2
38	Ø 2 1/4" Housing Cap	2
39	Belt	1
40	Magnet	1
41	Crank	1
42	Main Frame	1
43	Acrylic Cover	1
44	Magnetic Wheel	1
45	M6 Bolt	2
46	U-shaped Bracket	2
47	Lock Washer	2
48	M6 Hex Nut	2
49	M10 Flange Nut	2
50	Rear Stabilizer	1
51	Rear Stabilizer End Cap	2
52	Seat Post Sleeve	1
53	Seat Post	1
54	M8 Aircraft Nut	3
55	Ø 5/8" Flat Zinc Washer	3
56	Seat	1
57	Ø 3/8" Cap	1

IMPEX[®] INC.

LIMITED WARRANTY

IMPEX Inc. ("IMPEX[®]") warrants this product to be free from defects in workmanship and material, under normal use and service conditions, for a period of two years on the Frame from the date of purchase. This warranty extends only to the original purchaser. IMPEX's obligation under this Warranty is limited to replacing or repairing, at IMPEX's option.

All returns must be pre-authorized by IMPEX. Pre-authorization may be obtained by calling IMPEX Customer Service Department at 1-800-999-8899. All freights for products return to IMPEX must be prepaid by the customer. This warranty does not extend to any product or damage to a product caused by or attributable to freight damage, abuse, misuse, improper or abnormal usage or repairs not provided by an IMPEX authorized service center or for products used for commercial or rental purposes. No other warranty beyond that specifically set forth above is authorized by IMPEX.

IMPEX is not responsible or liable for indirect, special or consequential damages arising out of or in connection with the use or performance of the product or other damages with respect to any economic loss, loss of property, loss of revenues or profits, loss of enjoyments or use, costs of removal, installation or other consequential damages or whatsoever natures. Some states do not allow the exclusion or limitation of incidental or consequential damages. Accordingly, the above limitation may not apply to you.

The warranty extended hereunder is in lieu of any and all other warranties and any implied warranties of merchantability or fitness for a particular purpose is limited in its scope and duration to the terms set forth herein. Some states do not allow limitations on how long an implied warranty lasts. Accordingly, the above limitation may not apply to you.

This warranty gives you specific legal right. You may also have other rights which vary from state to state. Register on-line www.impex-fitness.com

IMPEX[®] INC.
14777 Don Julian
City of Industry, CA 91746

ORDERING REPLACEMENT PARTS

Replacement parts can be ordered by calling our Customer Service Department toll-free at **1-800-999-8899** during our regular business hours: Monday through Friday, 9 am until 5 pm Pacific standard time.

info@impex-fitness.com

When ordering replacement part, always give the following information.

1. Model
2. Description of Parts
3. Part Number
4. Date of Purchase