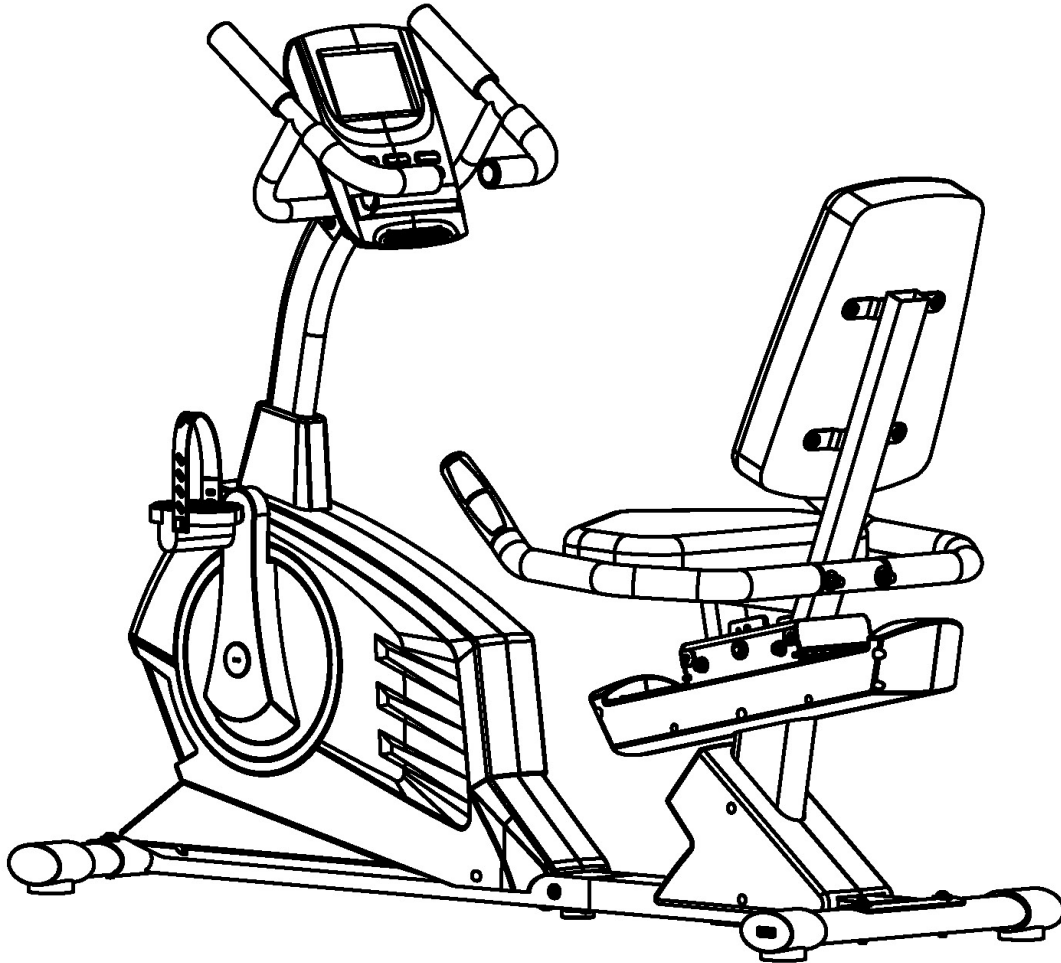


MARCY[®]

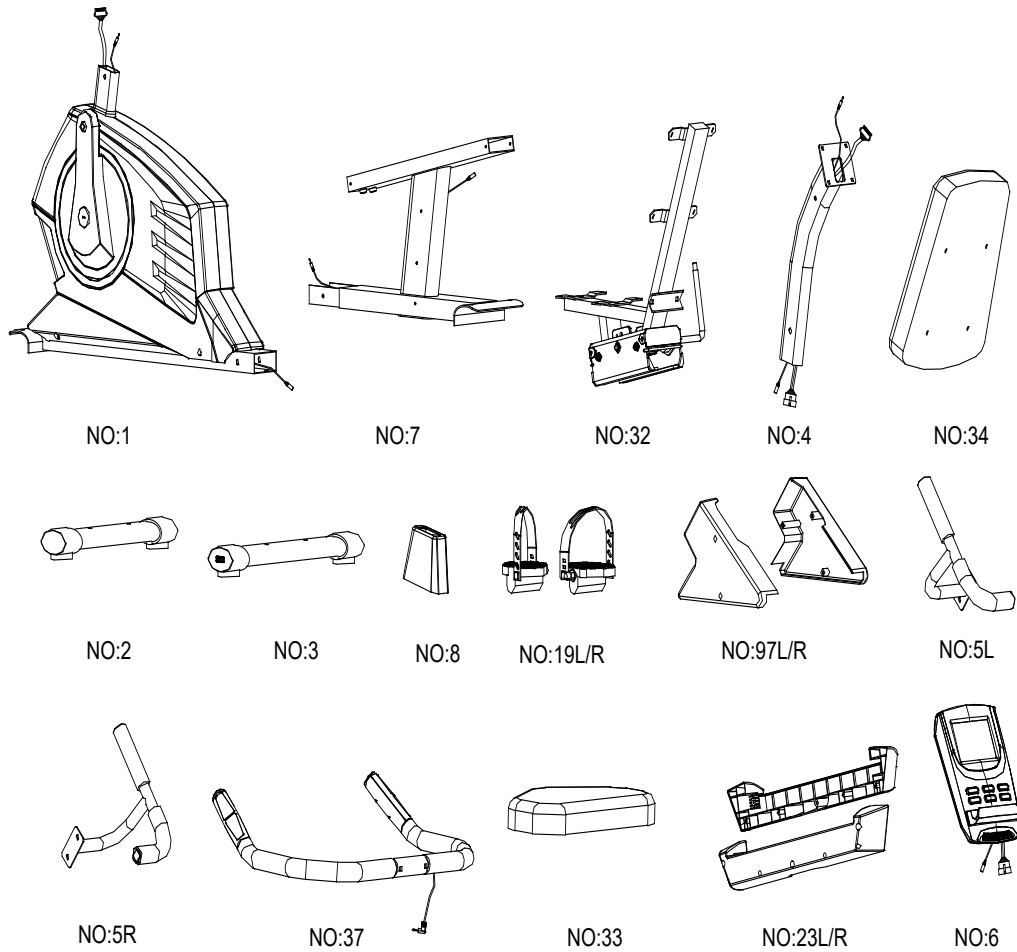
REGENERATING MAGNETIC RECUMBENT BIKE ME-706



IMPORTANT: Please read the Important Safety Notice and Assembly Information in the Owner's manual before assembling this product.

Assembly Manual

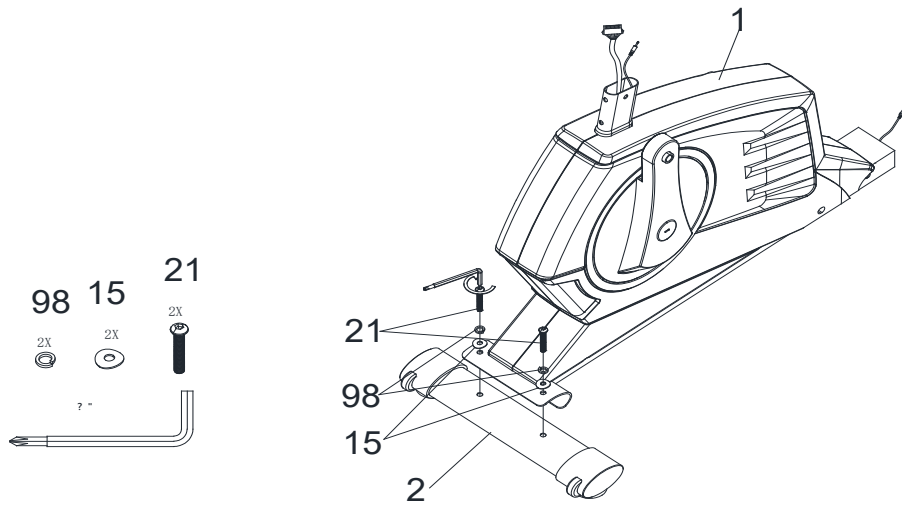
190429



Part No.	Description	Q'ty
1	Main frame	1
7	Rear support tube	1
32	Seat support bracket	1
4	Front post	1
34	Back cushion	1
2	Front stabilizer	1
3	Rear stabilizer	1
8	Front post cover	1
19L/R	Pedal (L&R)	1
97L/R	Rear support tube Cover (L&R)	1
5L/R	Handlebar L & R	1
37	Rear handlebar	1
33	Seat cushion	1
23L/R	Left /Right cover for sliding tube	1
6	Computer	1

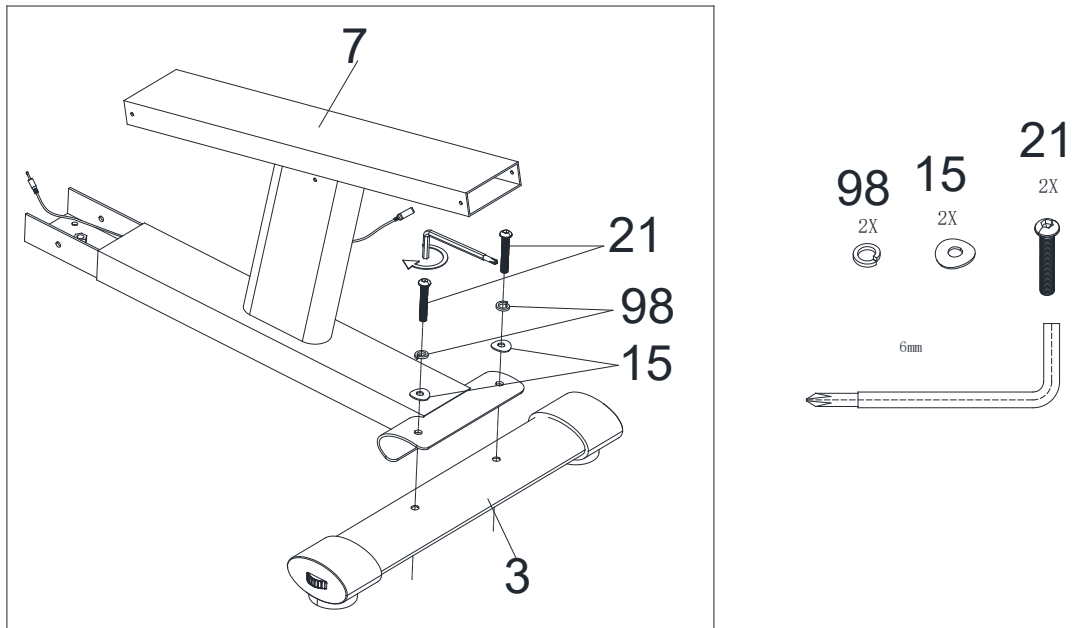
STEP 1

Attach Front Stabilizer (#2) with Allen Bolt (#21), Locking washer (#98), and Curved washer (#15) to the Main Frame (#1).



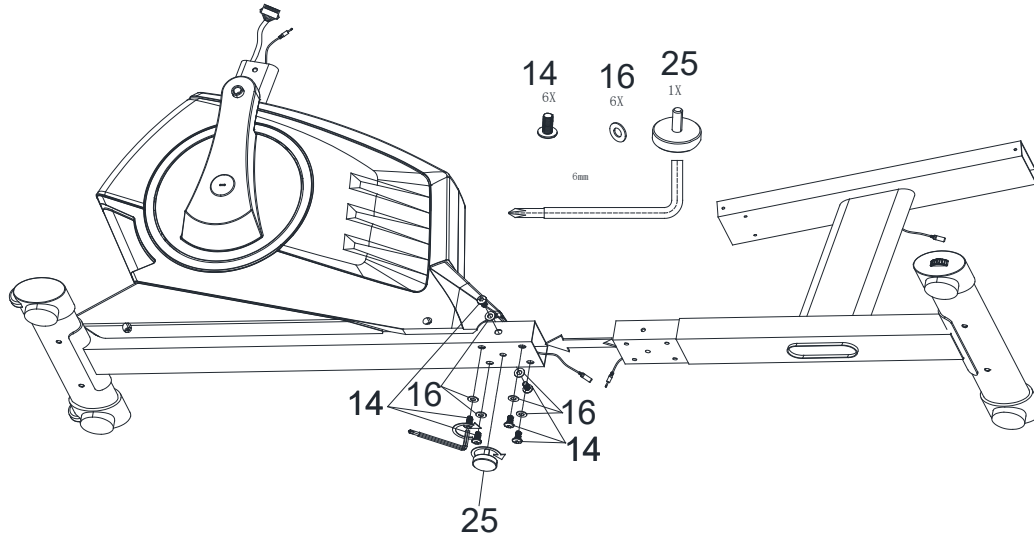
STEP 2

Attach the Rear Stabilizer (#3) with Allen Bolt (#21), Curved washer (#15) and Locking washer (#98) to the Rear Support tube (#7).



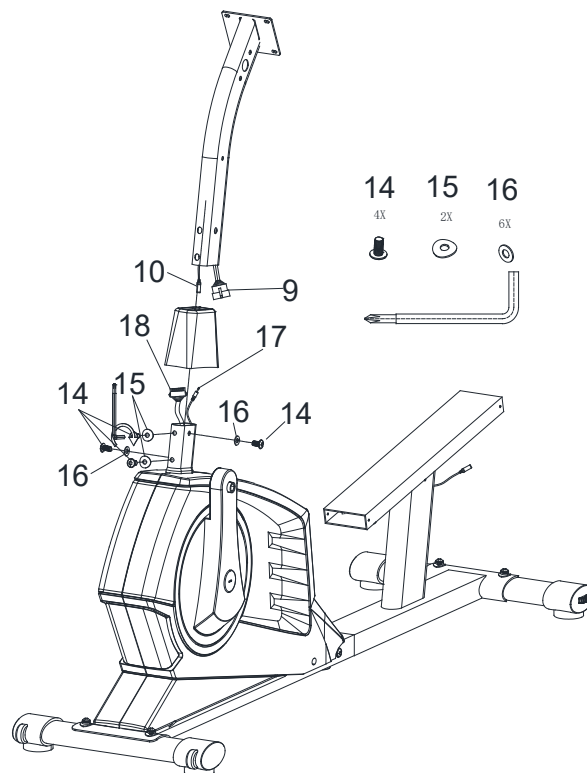
STEP 3

1. Connect Main Frame (#1) and Rear Support tube (#7) with Allen Bolt (#14) and Flat washer (#16).
2. Attach the Level Adjustment (#25).



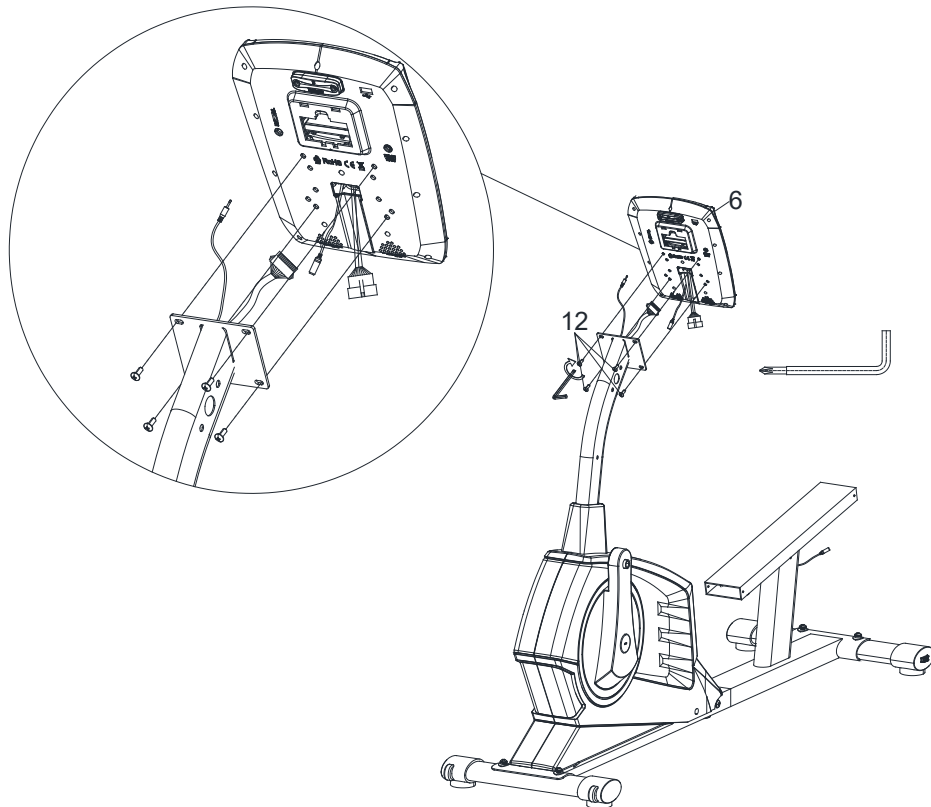
STEP 4

1. Slide Front post cover (#8) onto Front post (#4).
2. Connect Middle computer wire (#9), Front extension hand pulse wire (#10) to Middle extension hand pulse wire (#17) and Lower computer wire (#18).
3. Attach the Front Post (#4) to the main frame with Allen Bolt (#14), Curved washer (#15) and Flat washer (#16).



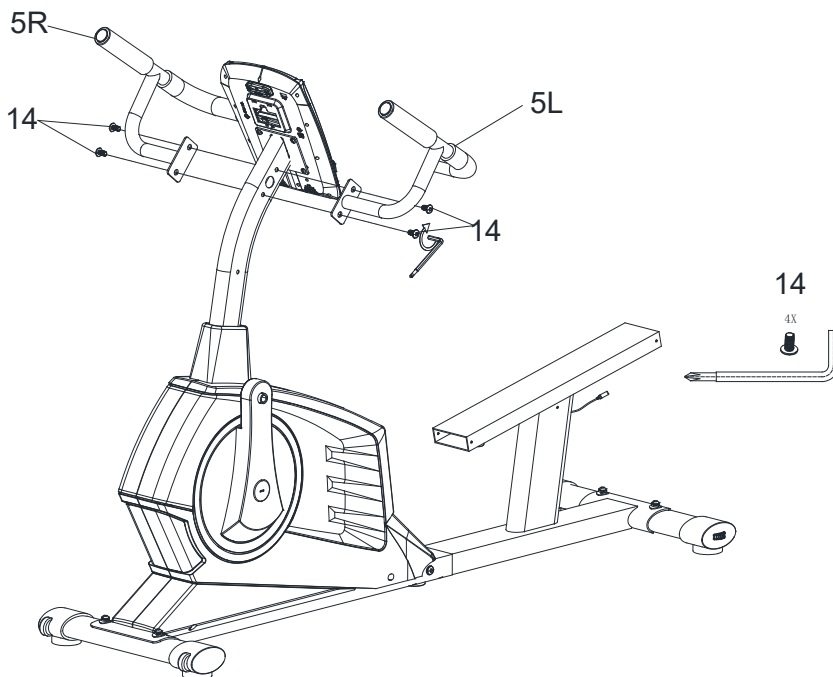
STEP 5

Connect the computer sensor wire and the computer wire to the Front post connectors, and attach the computer (#6) to the Front Post with the pre-assembled Screws (#12).



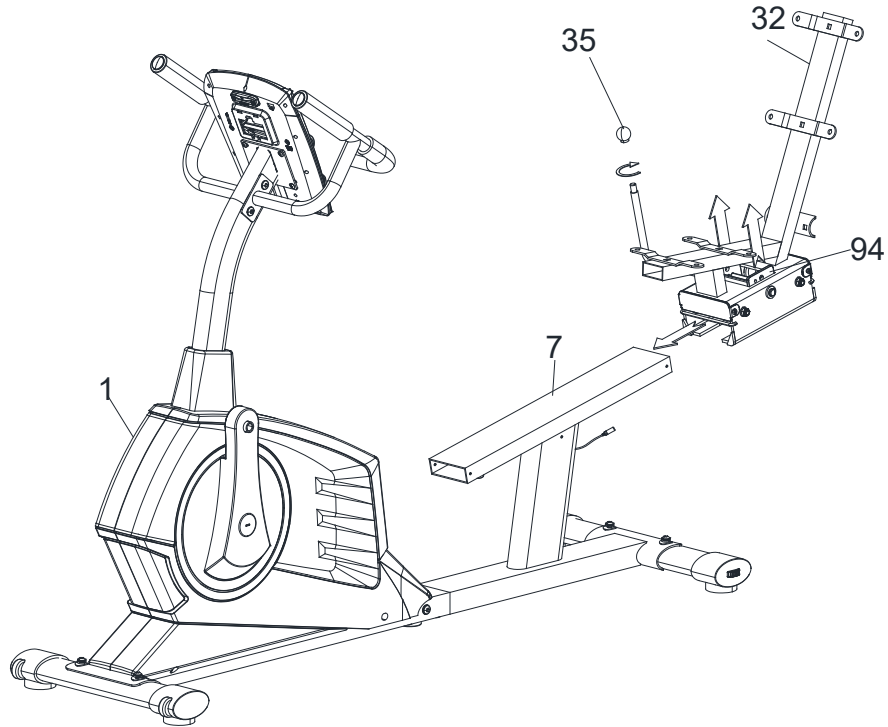
STEP 6

Secure the Handlebar (#5L, #5R) to the Front Post with Allen Bolts (#14).



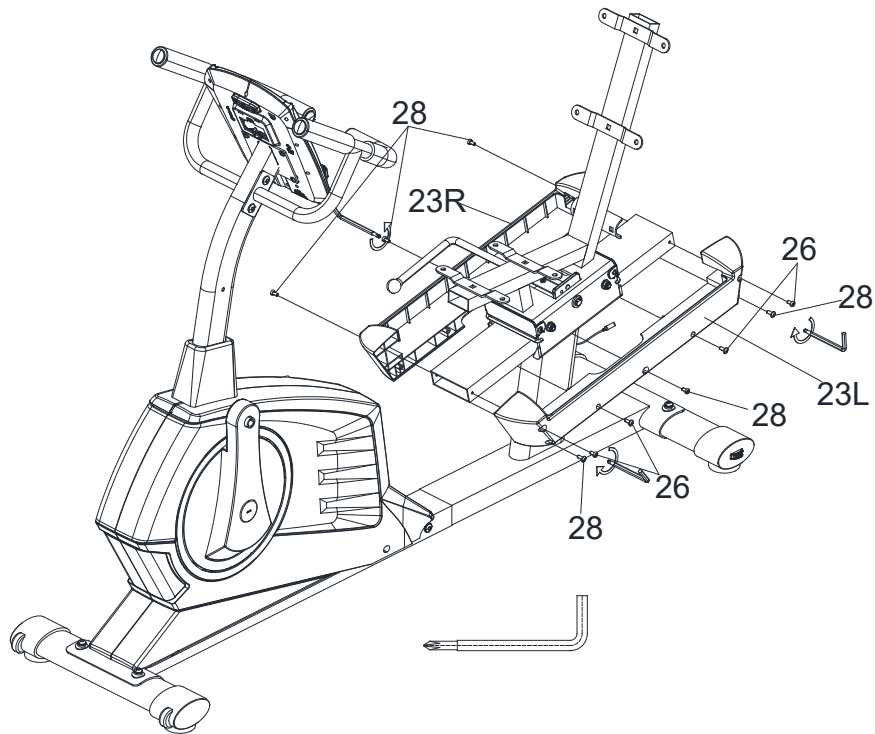
STEP 7

1. Slightly lift the Seat bracket (#94) as it slides into the Rear support tube (#7).
2. Thread in the Ball end cap (#35) into the Quick release handle (#29).



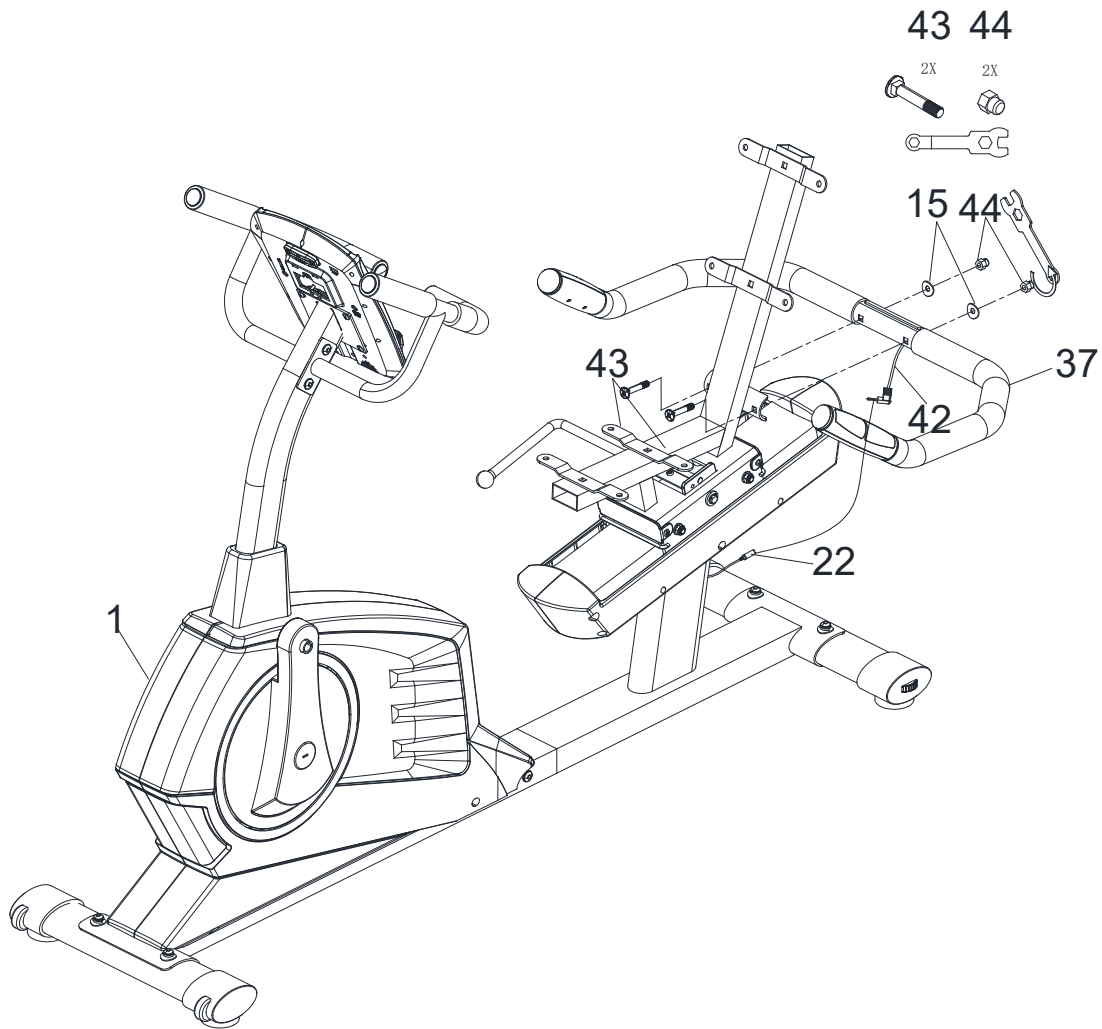
STEP 8

Attach the Cover for Sliding tube (#23L, #23R) with Self-tapping screws (#26) and Screws (#28).



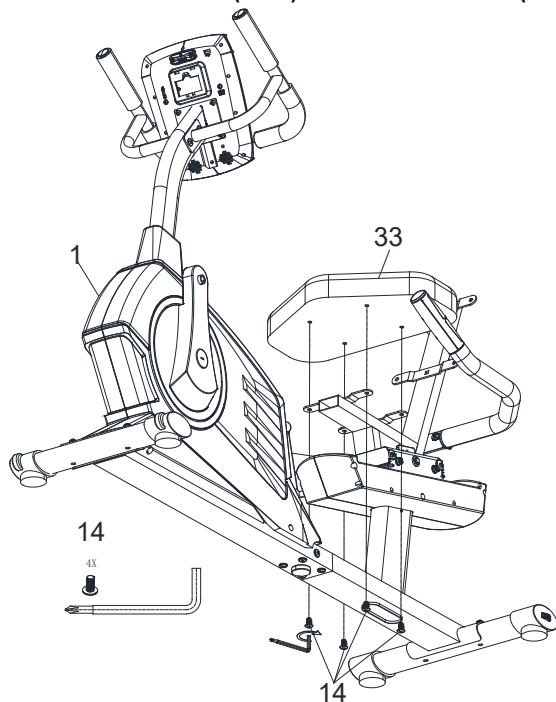
STEP 9

1. Secure the Rear Handlebar (#37) to the Seat bracket (#94) with Curved washer (#15), Carriage bolt (#43) and Acorn nut (#44).
2. Connect Hand pulse wire (#42) and Rear extension hand pulse wire (#22).



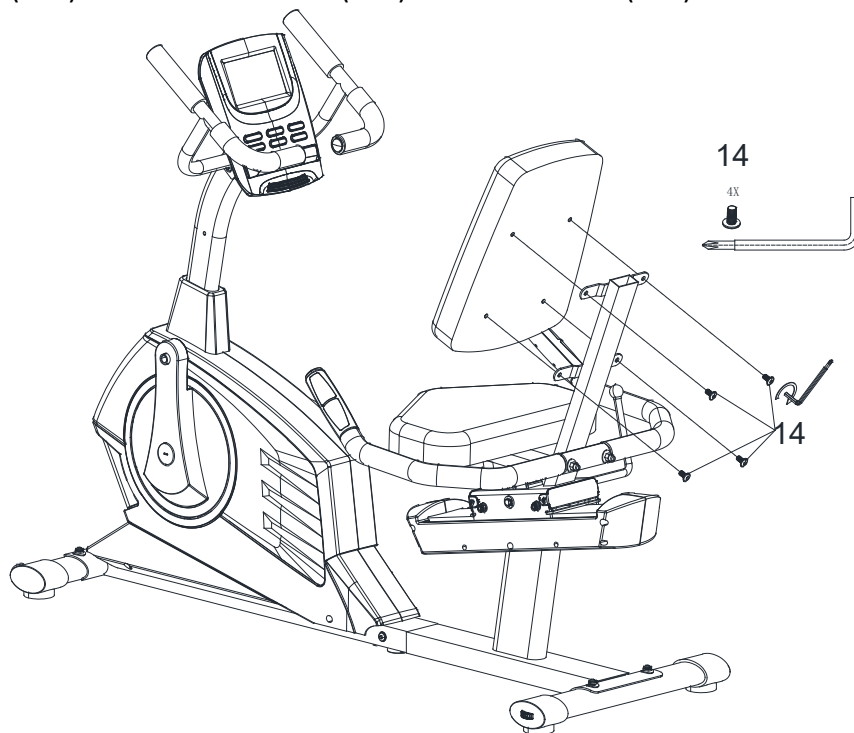
STEP 10

Attach the Seat cushion (#33) to the Seat bracket (#94) with Allen Bolts (#14).



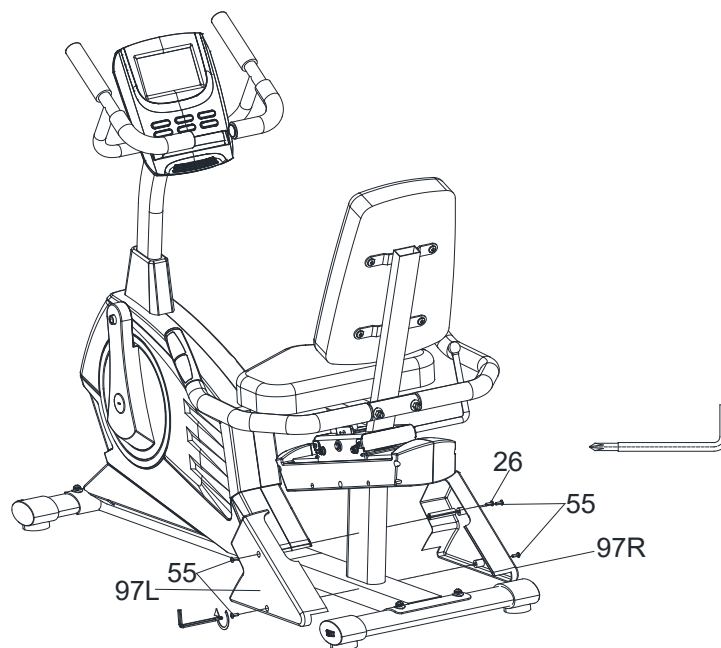
STEP 11

Attach Back Cushion (#34) to the Seat bracket (#94) with Allen bolts (#14).



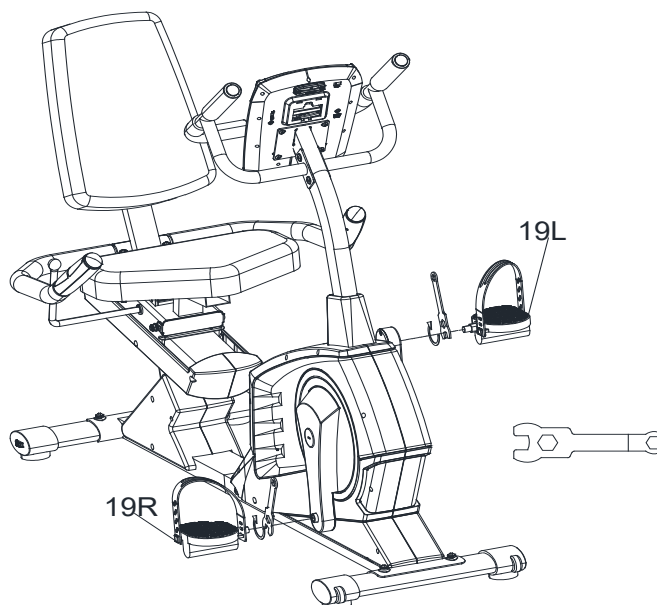
STEP 12

Attach the Rear support tube cover (#97L, #97R) with Self-Tapping screw STx5 ½ (#26) and Self-Tapping Screw ST5x ¾ (#55).



STEP 13

Thread the Left Pedal (#19L) and Right Pedal (#19R) into the crank.



IMPEX® INC.

2801 S. Towne Ave, Pomona, CA 91766

Tel: (800) 999-8899 Fax: (626) 961-9966

www.marcypro.com

support@impex-fitness.com