

NOTE:
Please read all instructions
carefully before using this
product

Table of Contents

Safety Notice

Hardware Pack

Assembly Instruction

Parts List

Warranty

Ordering Parts

Model
PL 200

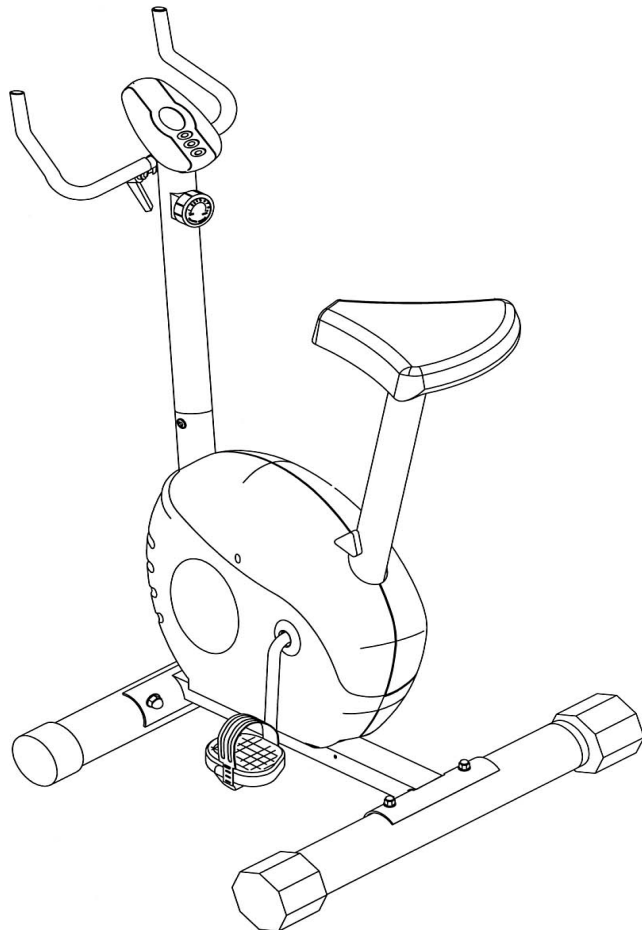
Retain This
Manual for
Reference

04-14-03

**OWNER'S
MANUAL**

IMPEx
FITNESS PRODUCTS

MARCY
Magnetic Upright Bike
PL-200



IMPEx FITNESS PRODUCTS

14777 DON JULIAN RD., CITY OF INDUSTRY, CA 91746

Tel: (800) 999-8899 Fax: (626) 961-9966

www.impex-fitness.com

info@impex-fitness.com

TABLE OF CONTENTS

| | |
|-------------------------------|----|
| BEFORE YOU BEGIN..... | 1 |
| IMPORTANT SAFETY NOTICES..... | 2 |
| HARDWARE PACK..... | 3 |
| ASSEMBLY INSTRUCTIONS..... | 4 |
| EXPLODED DIAGRAM..... | 10 |
| PARTS LIST..... | 11 |
| COMPUTER..... | 12 |
| WARRANTY..... | 14 |
| ORDERING PARTS..... | 14 |

BEFORE YOU BEGIN

Thank you for selecting the MARCY Magnetic Upright Bike PL-200 by IMPEX FITNESS PRODUCTS. For your safety and benefit, read this manual carefully before using the machine. As a manufacturer, we are committed to provide you complete customer satisfaction. If you have any questions, or find there are missing or damaged parts, we guarantee you complete satisfaction through direct assistance from our factory. To avoid unnecessary delays, *please call our TOLL-FREE customer service number.* Our Customer Service Agents will provide immediate assistance to you.

Toll-Free Customer Service Number

1-800-999-8899

Mon. - Fri. 9 a.m. - 5 p.m. PST

www.impex-fitness.com

info@impex-fitness.com

IMPORTANT SAFETY NOTICE

PRECAUTIONS

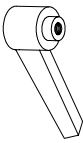

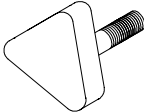
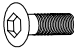



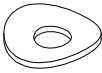

This exercise machine is built for optimum safety. However, certain precautions apply whenever you operate a piece of exercise equipment. Be sure to read the entire manual before you assemble or operate your machine. In particular, note the following safety precautions:

1. **Keep children and pets away from the machine at all times. DO NOT leave children unattended in the same room with the machine.**
2. Only one person at a time should use the machine.
3. If the user experiences dizziness, nausea, chest pain, or any other abnormal symptoms, STOP the workout at once. CONSULT A PHYSICIAN IMMEDIATELY.
4. Position the machine on a clear, leveled surface. DO NOT use the machine near water or outdoors.
5. Keep hands away from all moving parts.
6. Always wear appropriate workout clothing when exercising. DO NOT wear robes or other clothing that could become caught in the machine. Running or aerobic shoes are also required when using the machine.
7. Use the machine only for its intended use as described in this manual. DO NOT use attachments not recommended by the manufacturer.
8. Do not place any sharp object around the machine.
9. Disabled person should not use the machine without a qualified person or physician in attendance.
10. Before using the machine to exercise, always do stretching exercises to properly warm up.
11. Never operate the machine if the machine is not functioning properly.
12. The Maximum Weight Capacity is 300 lbs.
13. Read all warnings posted on the exercise bike.
14. Inspect the exercise bike for worn or loose component prior to use. Tighten/replace any loose or wore components prior to use.
15. Care should be taken in mounting or dismounting the exercise bike.
16. This exercise bike is for consumer and home use only.

WARNING: BEFORE BEGINNING ANY EXERCISE PROGRAM, CONSULT YOUR PHYSICIAN. THIS IS ESPECIALLY IMPORTANT FOR INDIVIDUALS OVER THE AGE OF 35 OR PERSONS WITH PRE-EXISTING HEALTH PROBLEMS. READ ALL INSTRUCTIONS BEFORE USING ANY FITNESS EQUIPMENT. IMPEX INC. ASSUMES NO RESPONSIBILITY FOR PERSONAL INJURY OR PROPERTY DAMAGE SUSTAINED BY OR THROUGH THE USE OF THIS PRODUCT.

SAVE THESE INSTRUCTIONS.

HARDWARE PACK

| Part# | Description | Identifier |
|------------------|---------------------------------------|--|
| #5 | L-shape Handlebar Adjustment Knob (1) |  |
| #6 | Ø 5/8" Washer (1) |  |
| #16 | Seat Post Lock Knob (1) |  |
| #17 | M8 x 5/8" Allen Bolt (3) |  |
| #18 | Ø 5/8" Bent Washer (3) |  |
| #23 | M10 x 2 3/8" Carriage Bolt (4) |  |
| #24 | M10 Acorn Nut (4) |  |
| #25 | Ø1" Bent Washer (4) |  |
| Tool: | | |
| Allen Wrench (1) | |  |

ASSEMBLY INSTRUCTION

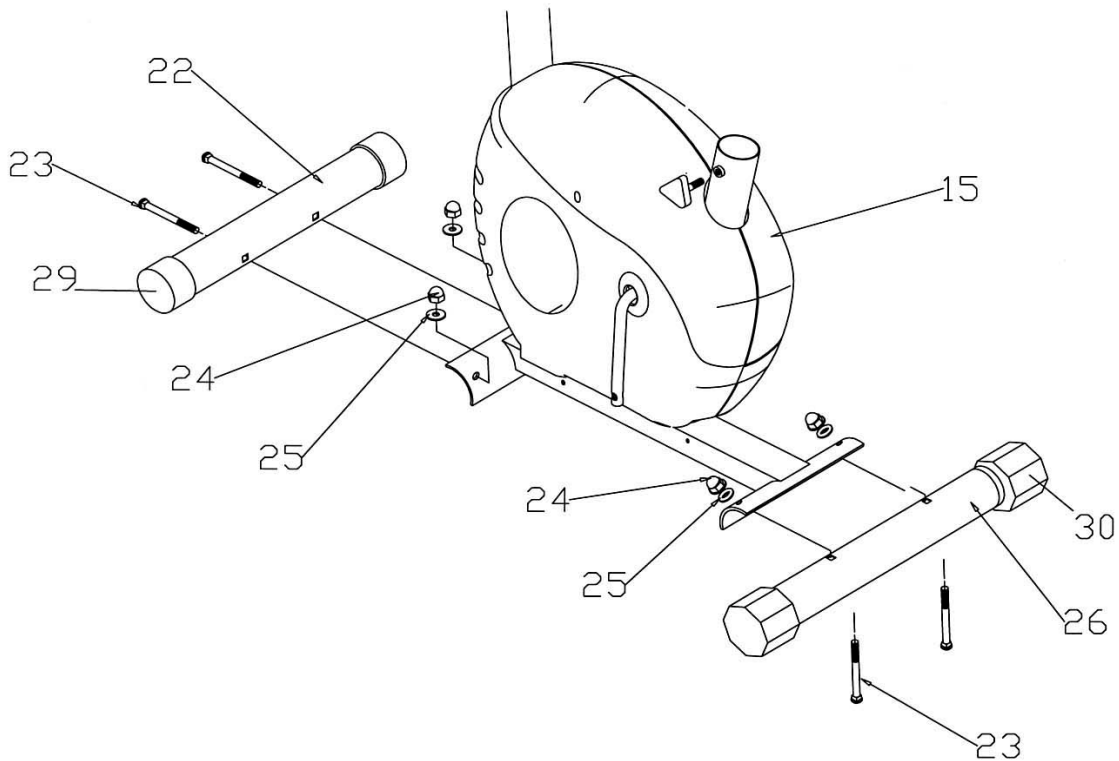
Tools Required Assembling the Machine: Adjustable Wrench and Allen Wrench

NOTE: It is strongly recommended this machine be assembled by two or more people to avoid possible injury.

STEP 1 (See Diagram1)

- A.) Attach the Rear Stabilizer (#26) to the Main Frame (#15). Secure it with two M10 x 2 3/8" Carriage Bolts (#23), \varnothing 1" Bent Washers (#25), and M10 Acorn Nuts (#24).
- B.) Attach the Front Stabilizer (#22) to the Main Frame (#15). Secure it with two M10 x 2 3/8" Carriage Bolts (#23), \varnothing 1" Bent Washers (#25), and M10 Acorn Nuts (#24).
- C.) Plug the Roller Caps (#29) onto both ends of Front Stabilizer (#22). Plug the Rear Stabilizer End Caps (#30) onto both ends of Rear Stabilizer (#26). Set the bike firmly on a flat surface. If the surface is uneven, rotate the Rear Stabilizer End Caps (#30) to level the bike.

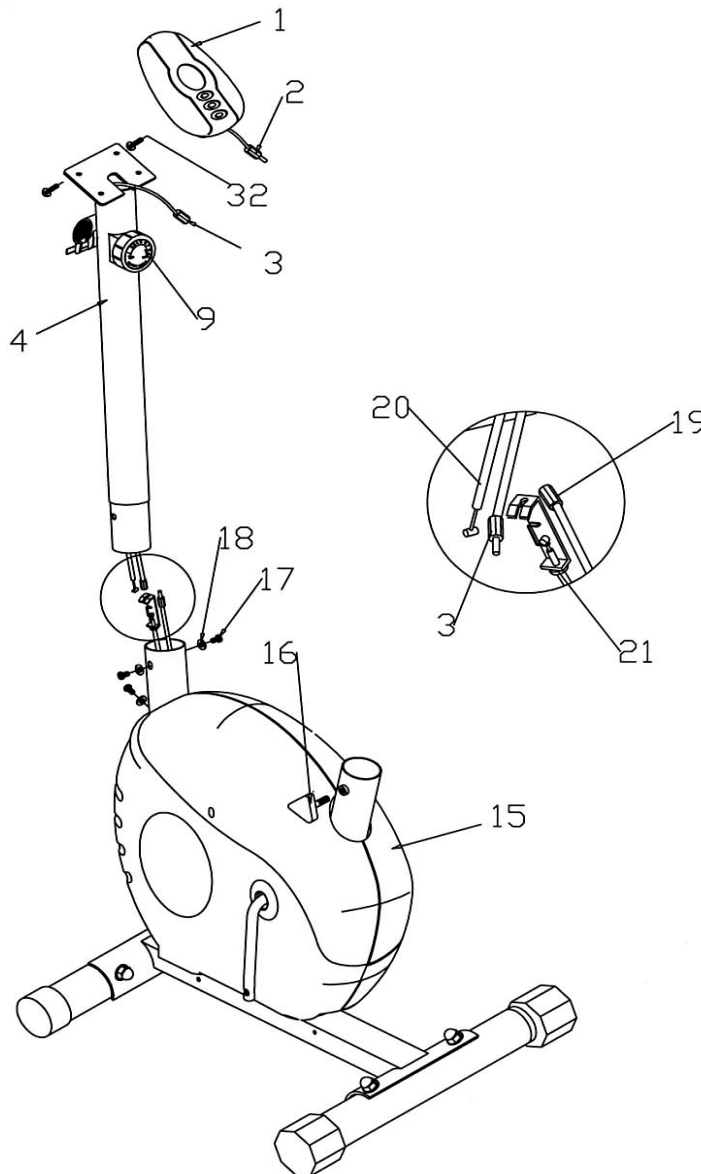
Diagram 1



STEP 2 (See Diagram 2)

- A.) Attach the Handlebar Post (#4) to the Main Frame (#15). Connect the Middle Computer Sensor Wire (#3) from the bottom of Handlebar Post to the Lower Computer Sensor Wire (#19) from the main body of the bike. Connect the Upper Tension Connector (#20) to the Bracket on the Lower Tension Connector (#21). **See HOW TO CONNECT TENSION CONNECTOR on next page.** Adjust exercise tension by using the Tension Adjustment Knob (#9) on the Handlebar Post (#4).
- B.) Secure the Handlebar Post (#4) to the Main Frame (#15) with three M8 x 5/8" Allen Bolts (#17) and Ø5/8" Bent Washers (#18).
- C.) Connect the Middle Computer Sensor Wire (#3) from the top of the Handlebar Post (#4) to the Upper Computer Sensor Wire (#2) from the Computer (#1). Hide the wires inside the Post. Attach the Computer (#1) to the top of the Handlebar Post (#4) and secure it with two M5 x 1/2" Philips Screws (#32).

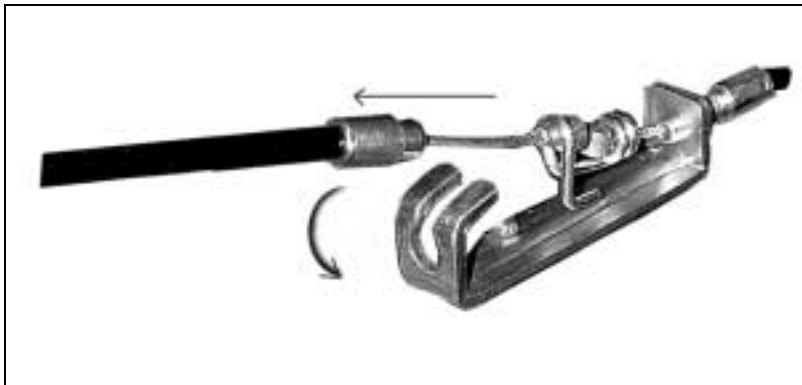
DIAGRAM 2



HOW TO CONNECT TENSION CONNECTOR



Slide the Cable wire from the Upper Tension Connector in between the opening on the wire holder on the Lower Tension Connector.



Pull the Upper Tension Connector backward and slide the wire through the slot on the bracket.



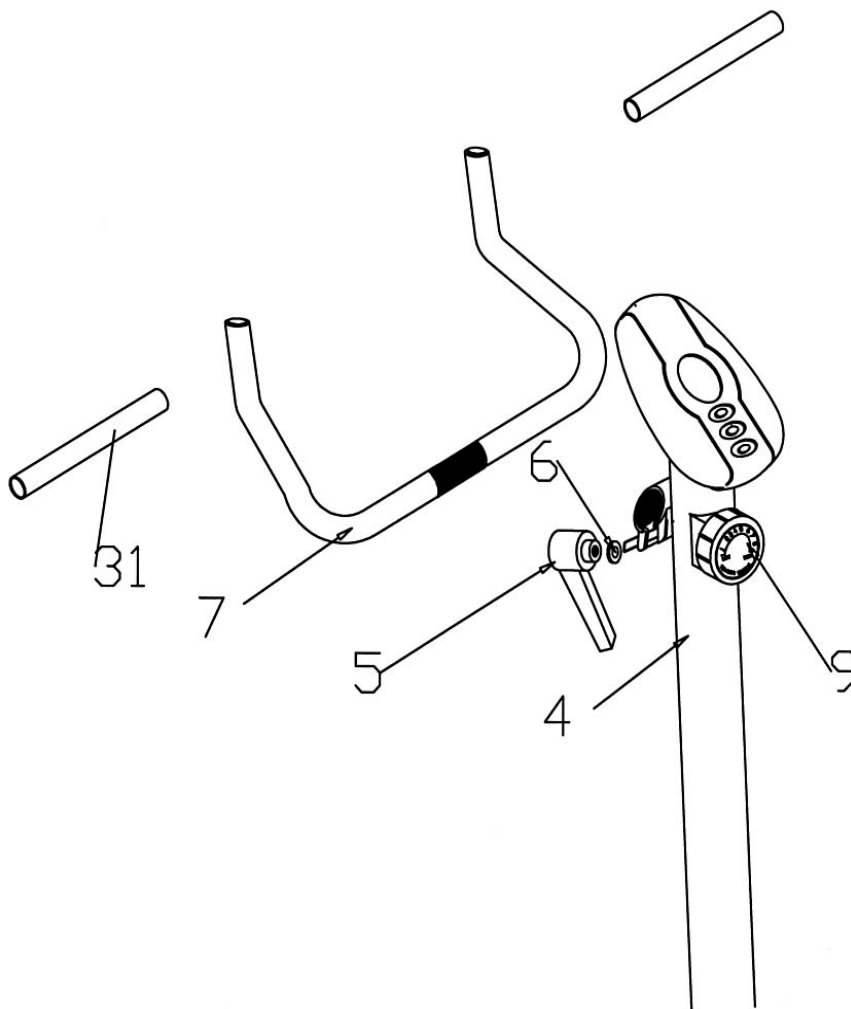
Drop down the Connector so the fitting sits firmly on top of the bracket.

NOTE: In able to hold the Computer Post while connecting the cables and wires, extra help may be needed.

STEP 3 (See Diagram 3)

- A.) Insert the Handlebar (#7) halfway through the opening on the back of the Handlebar Post (#4). Adjust the position of the handlebar. Secure it with a L-shape Handlebar Adjustment Knob (#5) and $\text{\O} 5/8\text{'}$ Washer (#6).
- B.) Lubricate the inside of the Handlebar Grips (#31) with water. Slide the Grips onto the Handlebar.

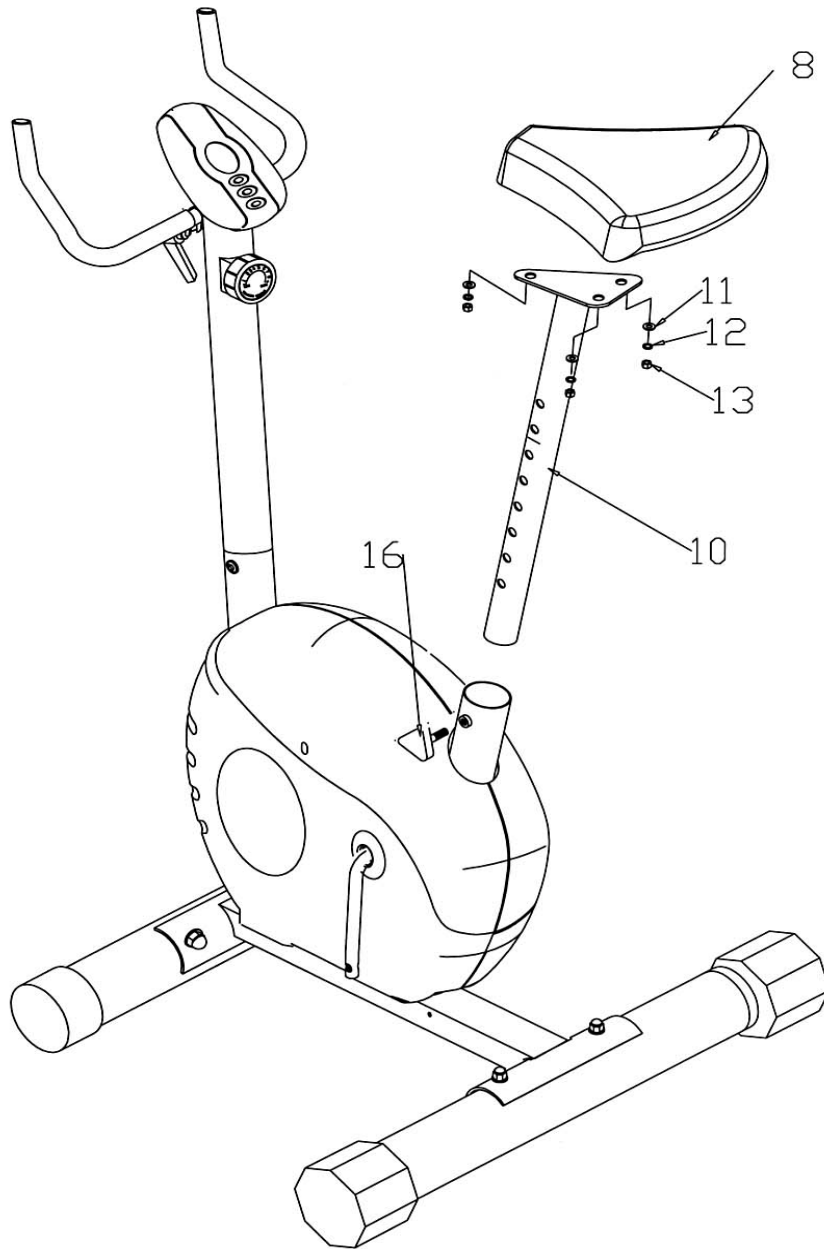
DIAGRAM 3



STEP 4 (See Diagram 4)

- A.) Attach the Seat (#8) to the top of the Seat Post (#10). Secure it with three Ø 5/16" Washers (#11), Ø 5/16" Spring Washers (#12), and M8 Nylon Nuts (#13).
- B.) Insert the Seat Post into the top opening on Main Frame (#15). Adjust the height of the Seat. Lock the Seat Post with a Seat Post Lock Knob (#16).

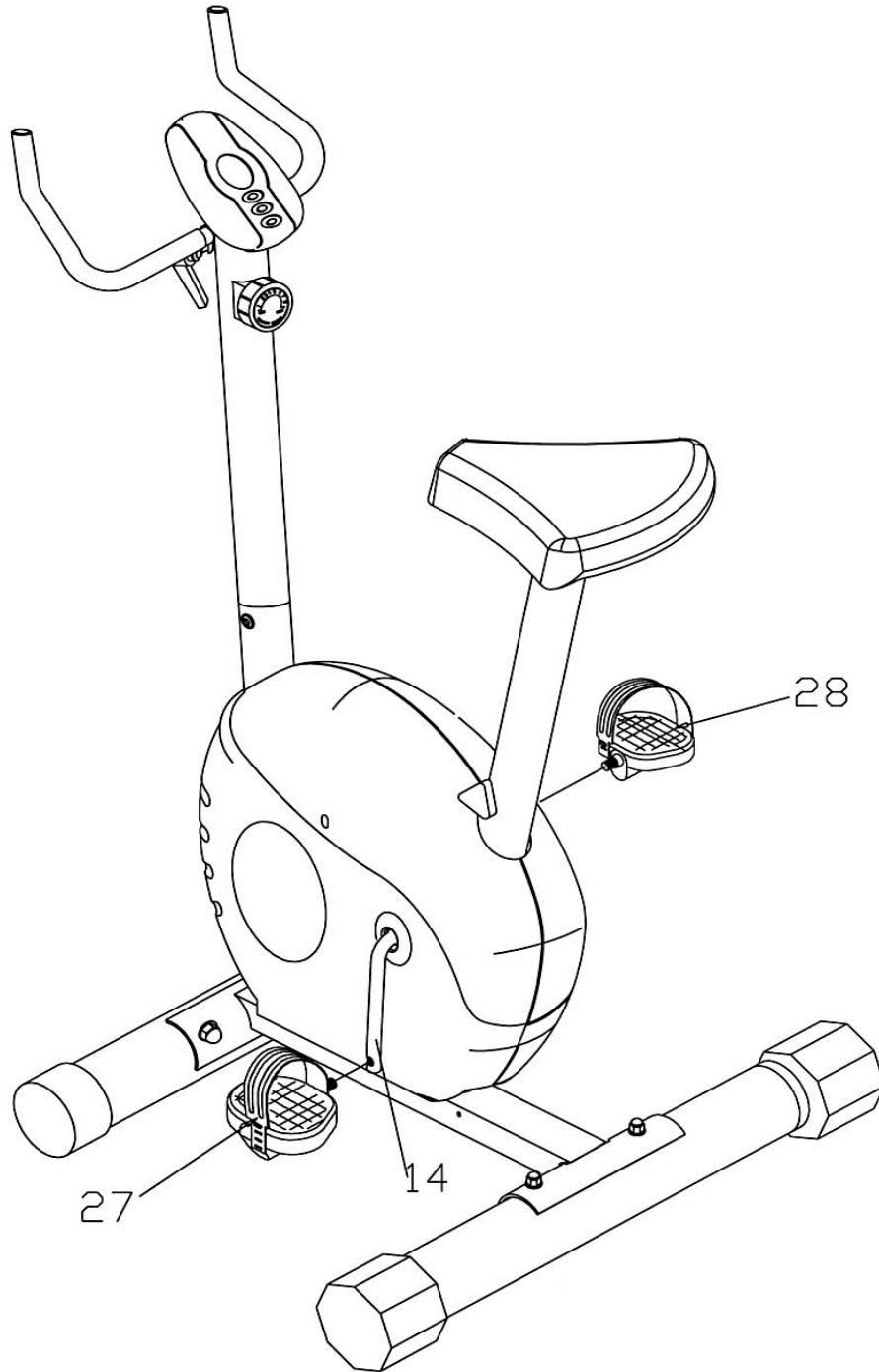
DIAGRAM 4



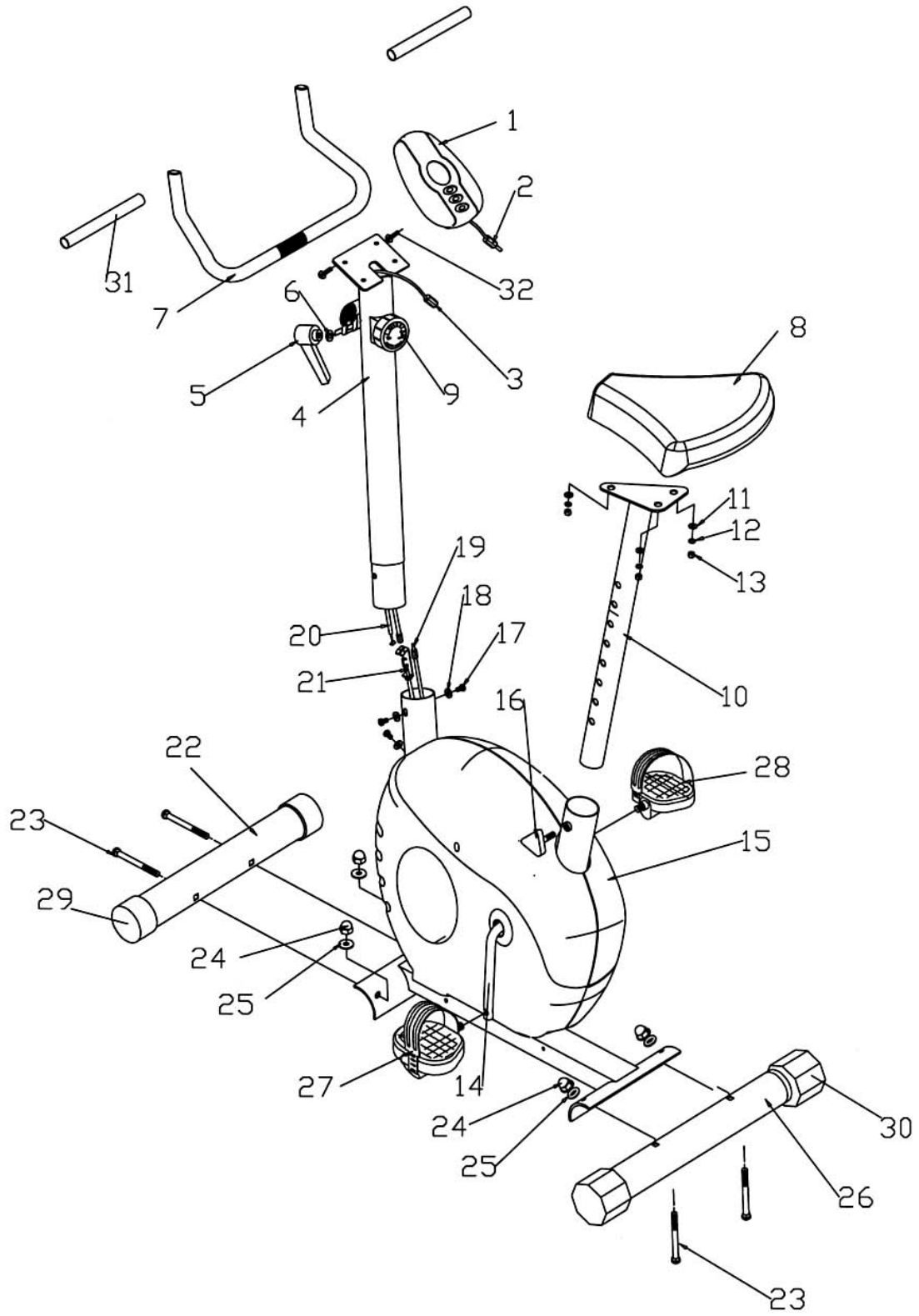
STEP 5 (See Diagram 5)

- A.) Thread the Left Pedal (#27) counterclockwise onto the left Crank (#14).
Thread the Right Pedal (#28) Clockwise onto the Crank on the other side.

DIAGRAM 5



EXPLODED DIAGRAM



PARTS LIST

| KEY NO. | DESCRIPTION | QUANTITY |
|---------|-----------------------------------|----------|
| 1 | Computer | 1 |
| 2 | Upper Computer Sensor Wire | 1 |
| 3 | Middle Computer Sensor Wire | 1 |
| 4 | Handlebar Post | 1 |
| 5 | L-shape Handlebar Adjustment Knob | 1 |
| 6 | Ø5/8" Washer | 1 |
| 7 | Handlebar | 1 |
| 8 | Seat | 1 |
| 9 | Tension Adjustment Knob | 1 |
| 10 | Seat Post | 1 |
| 11 | Ø 5/16" Washer | 3 |
| 12 | Ø 5/16" Spring Washer | 3 |
| 13 | M8 Nylon Nut | 3 |
| 14 | Crank | 1 |
| 15 | Main Frame | 1 |
| 16 | Seat Post Lock Knob | 1 |
| 17 | M8 x 5/8" Allen Bolt | 3 |
| 18 | Ø 5/8" Bent Washer | 3 |
| 19 | Lower Computer Sensor Wire | 1 |
| 20 | Upper Tensor Connector | 1 |
| 21 | Lower Tensor Connector | 1 |
| 22 | Front Stabilizer | 1 |
| 23 | M10 x 2 3/8" Carriage Bolt | 4 |
| 24 | M10 Acorn Nut | 4 |
| 25 | Ø 1" Bent Washer | 4 |
| 26 | Rear Stabilizer | 1 |
| 27 | Left Pedal | 1 |
| 28 | Right Pedal | 1 |
| 29 | Roller Cap | 2 |
| 30 | Rear Stabilizer End Cap | 2 |
| 31 | Handlebar Grip | 2 |
| 32 | M5 x 1/2" Philips Screw | 2 |

COMPUTER



DETAIL OF OPERATION:

SET CLOCK:

Once the batteries are installed, the Hour digit starts flashing. Press UP or DOWN button to set the hour and then press ENTER. After the Hour is set, the Minute digit starts flashing. Press UP or DOWN button to set the minute then press ENTER.

Note: If you made a mistake or would like to re-set the clock, remove the batteries then start over.

AUTO START / STOP

When exercise starts, the monitor will automatically turn on and display the progress. When exercise stops, the monitor will automatically turn off (after 4 minutes) to save energy. During the off mode, the Clock and Temperature will display.

DISPLAY:

| | |
|--------------------|---|
| Temperature | Display room temperature when the unit is not in use. |
| Speed | Display the current speed in Mile per Hour. |
| Speed Zone | Display the progress of speed. |
| Distance | Display the distance traveled in Miles. |
| Time | Display the elapsed time. |
| Calories | Display the calorie consumption. |

REPLACE BATTERY:

1. Remove the battery cover on the back of the computer.
2. Replace two 1.5V (AA) batteries.
3. Make sure the batteries are installed correctly and the polarities are correct.
4. If the display is not clear or only partial segments appeared, remove the batteries and wait for 15 seconds before re-install them.
5. The battery life is approx. 3 months under normal usage.
6. When the batteries are removed, all functional values will reset to zero.

Operating the Computer

Count Up

The computer can be turned on by pressing any of the three keys or by simply pedaling the bike. The values for Time, Dist, and Cal will start from Zero and accumulates upward. To reset all values back to Zero, Press and Hold Down the Enter key for two seconds.

Count Down

By pre-setting a value in the computer, the function will count down from the preset value back to Zero. When the value reaches Zero, the alarm will go off.

For example, you want to work out for 5 minutes. Press the Enter key so the Time starts flashing. Press Up key until 5:00 shows up. Press Enter. You can repeat the same procedure to enter Distance and Calorie.

Note:

Please note all values on this computer are approximate and they are for comparison purpose only. Do Not use these values for any medical or rehabilitation purpose.

Maintenance and Storage

- 1. Inspect and tighten all parts each time you use the machine. Replace any worn parts immediately.**
- 2. The bike can be cleaned using a damp cloth and mild non-abrasive detergent. Do not use solvents.**
- 3. Store the machine IN-DOOR. Excess moisture and water would cause rust on the frame.**
- 4. The machine shall be placed at least 24 inches away from the wall or/and any other object such as furniture to provide safe access to and passage around the machine.**
- 5. To avoid possible injury, the help of two or more people are needed when moving the machine around.**

IMPEX INC.

LIMITED WARRANTY

IMPEX Inc. ("IMPEX") warrants this product to be free from defects in workmanship and material, under normal use and service conditions, for a period of two years on the Frame from the date of purchase. This warranty extends only to the original purchaser. IMPEX's obligation under this Warranty is limited to replacing or repairing, at IMPEX's option.

All returns must be pre-authorized by IMPEX. Pre-authorization may be obtained by calling IMPEX Customer Service Department at 1-800-999-8899. All freights for products return to IMPEX must be prepaid by the customer. This warranty does not extend to any product or damage to a product caused by or attributable to freight damage, abuse, misuse, improper or abnormal usage or repairs not provided by an IMPEX authorized service center or for products used for commercial or rental purposes. No other warranty beyond that specifically set forth above is authorized by IMPEX.

IMPEX is not responsible or liable for indirect, special or consequential damages arising out of or in connection with the use or performance of the product or other damages with respect to any economic loss, loss of property, loss of revenues or profits, loss of enjoyments or use, costs of removal, installation or other consequential damages or whatsoever natures. Some states do not allow the exclusion or limitation of incidental or consequential damages. Accordingly, the above limitation may not apply to you.

The warranty extended hereunder is in lieu of any and all other warranties and any implied warranties of merchantability or fitness for a particular purpose is limited in its scope and duration to the terms set forth herein. Some states do not allow limitations on how long an implied warranty lasts. Accordingly, the above limitation may not apply to you.

This warranty gives you specific legal right. You may also have other rights which vary from state to state. Register on-line www.impex-fitness.com

IMPEX INC.
14777 Don Julian
City of Industry, CA 91746

ORDERING REPLACEMENT PARTS

Replacement parts can be ordered by calling our Customer Service Department toll-free at **1-800-999-8899** during our regular business hours: Monday through Friday, 9 am until 5 pm Pacific standard time.
info@impex-fitness.com

When ordering replacement parts, always give the following information.

1. Model
2. Description of Parts
3. Part Number
4. Date of Purchase